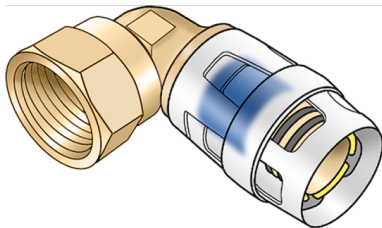


KELOX

KMP467 KELOX-PROTEC elbow adapter 90° female 16x1/2"

73216B02

Areas of application



Plug-in adapter elbow with female thread, made of dezincification-resistant brass (DZR); incl. push-on sleeve made of transparent polyamide, O-rings, withdrawal barriers and protector ring as insertion locking device

DO NOT screw in any threaded pipes and cast iron fittings!

Approvals:



Specifications

Article information

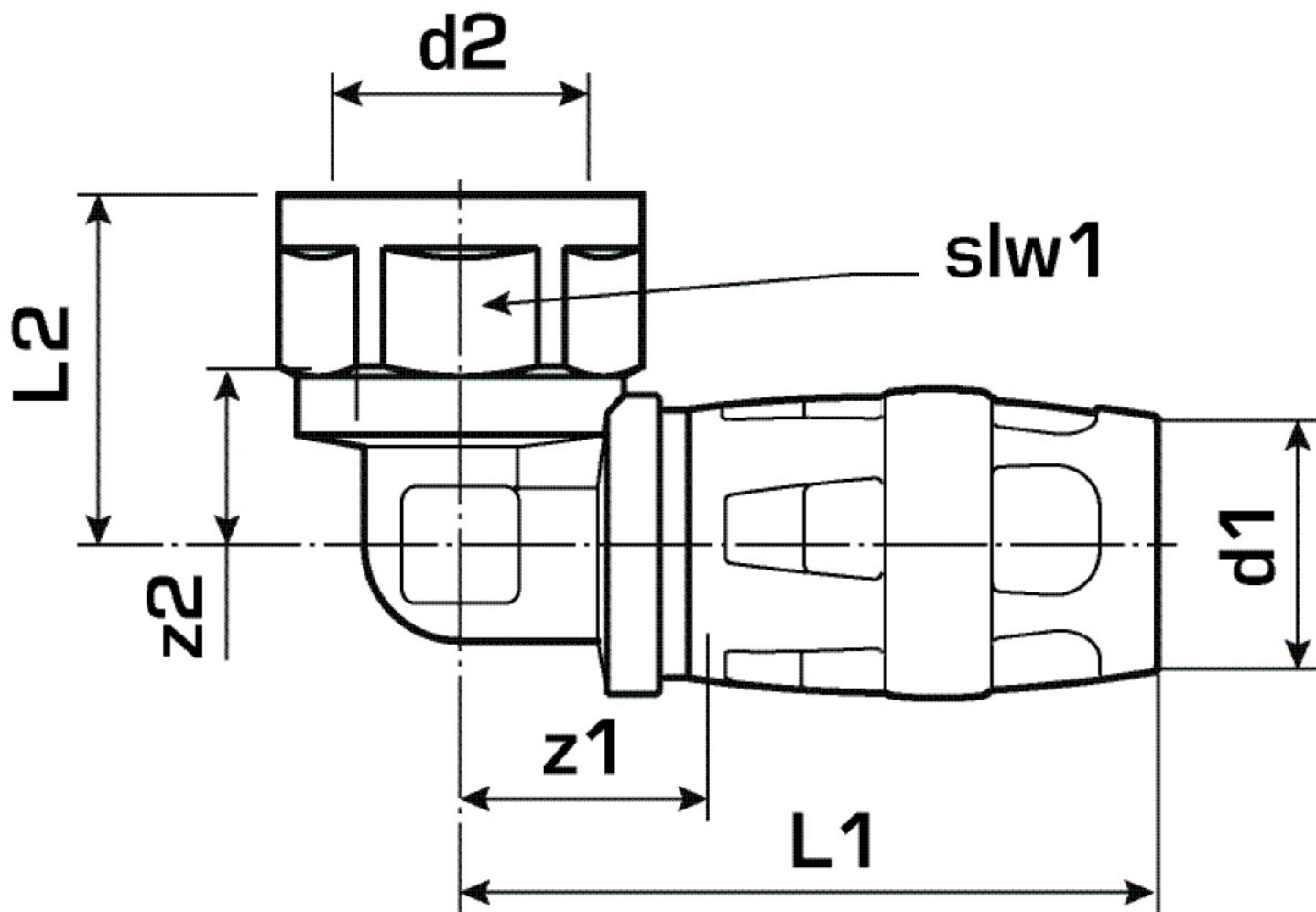
| | |
|--------|---------------------------------------------|
| port 1 | Plug-in |
| port 2 | Female thread cylindrical BSPT-Rp (ISO 7-1) |
| design | Knee |
| angle | 90 ° |

Technical properties

| | |
|------------------------------------|--------|
| maximum working pressure at 20 ° C | 10 bar |
|------------------------------------|--------|

Product information

| | |
|---------------------|---------------------------------------|
| VPE1 | 10,00 SA1 |
| VPE2 | 140,00 KT1 |
| weight | 0,097 KGM |
| text | KELOX-PROTEC elbow adapter 90° female |
| INTRNR | 74122000 |
| main material group | KELOX |
| material group | KELOX-PROtec pushfittings |
| code | KMP467 |



| Art. No | label | d1 mm | L1 mm | L2 mm | z1 mm | z2 mm | slw1 mm |
|----------|---------|-------|-------|-------|-------|-------|---------|
| 73216B02 | 16x1/2" | 16 | 50,5 | 29 | 17,5 | 17 | 24 |