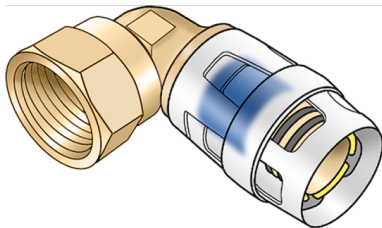


# KELOX

## KMP467 KELOX-PROTEC elbow adapter 90° female 20x3/4"

73216D04

### Areas of application



Plug-in adapter elbow with female thread, made of dezincification-resistant brass (DZR); incl. push-on sleeve made of transparent polyamide, O-rings, withdrawal barriers and protector ring as insertion locking device

DO NOT screw in any threaded pipes and cast iron fittings!

## Approvals:



# Specifications

## Article information

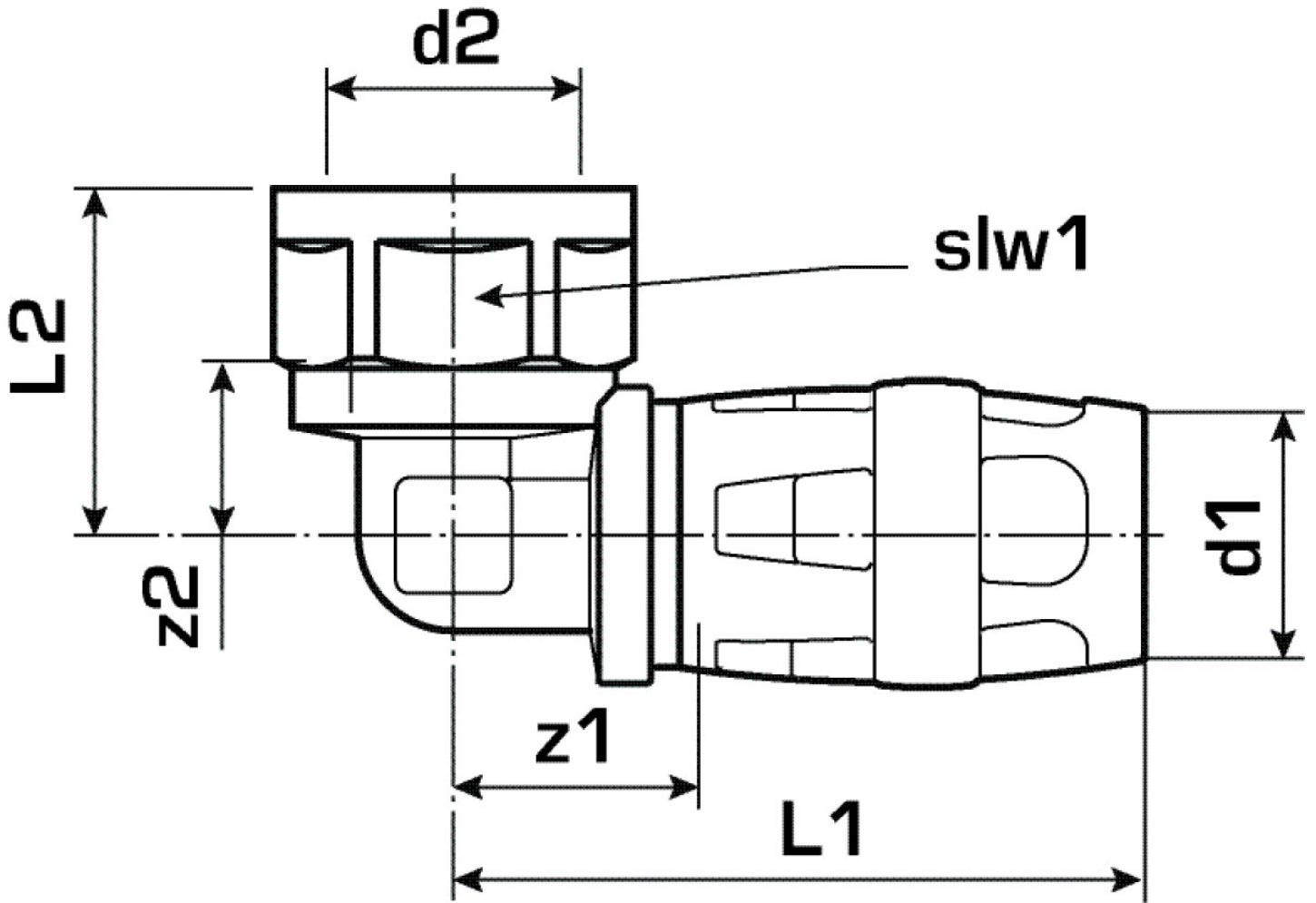
port 1	Plug-in
port 2	Female thread cylindrical BSPT-Rp (ISO 7-1)
design	Knee
angle	90 °

## Technical properties

maximum working pressure at 20 ° C	10 bar
------------------------------------	--------

## Product information

VPE1	10,00 SA1
VPE2	100,00 KT1
weight	0,133 KGM
text	KELOX-PROTEC elbow adapter 90° female
INTRNR	74122000
main material group	KELOX
material group	KELOX-PROtec pushfittings
code	KMP467



Art. No	label	d1 mm	L1 mm	L2 mm	z1 mm	z2 mm	slw1 mm
73216D04	20x3/4"	20	54	34,5	21	17	30