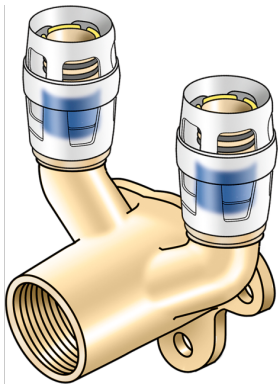


# KELOX

## KMP477 KELOX-PROTEC double U wall bracket fitting female 20x1/2"

73254D2D

### Areas of application



Double U wall bracket fitting with female thread, made of dezincification-resistant brass (DZR), incl. push-on sleeve made of transparent polyamide, O-rings, withdrawal barriers and a protector ring as an insertion locking device

Overall height:

1/2" - 46 mm

DO NOT screw in threaded pipes and cast iron fittings!

## Approvals:



# Specifications

## Article information

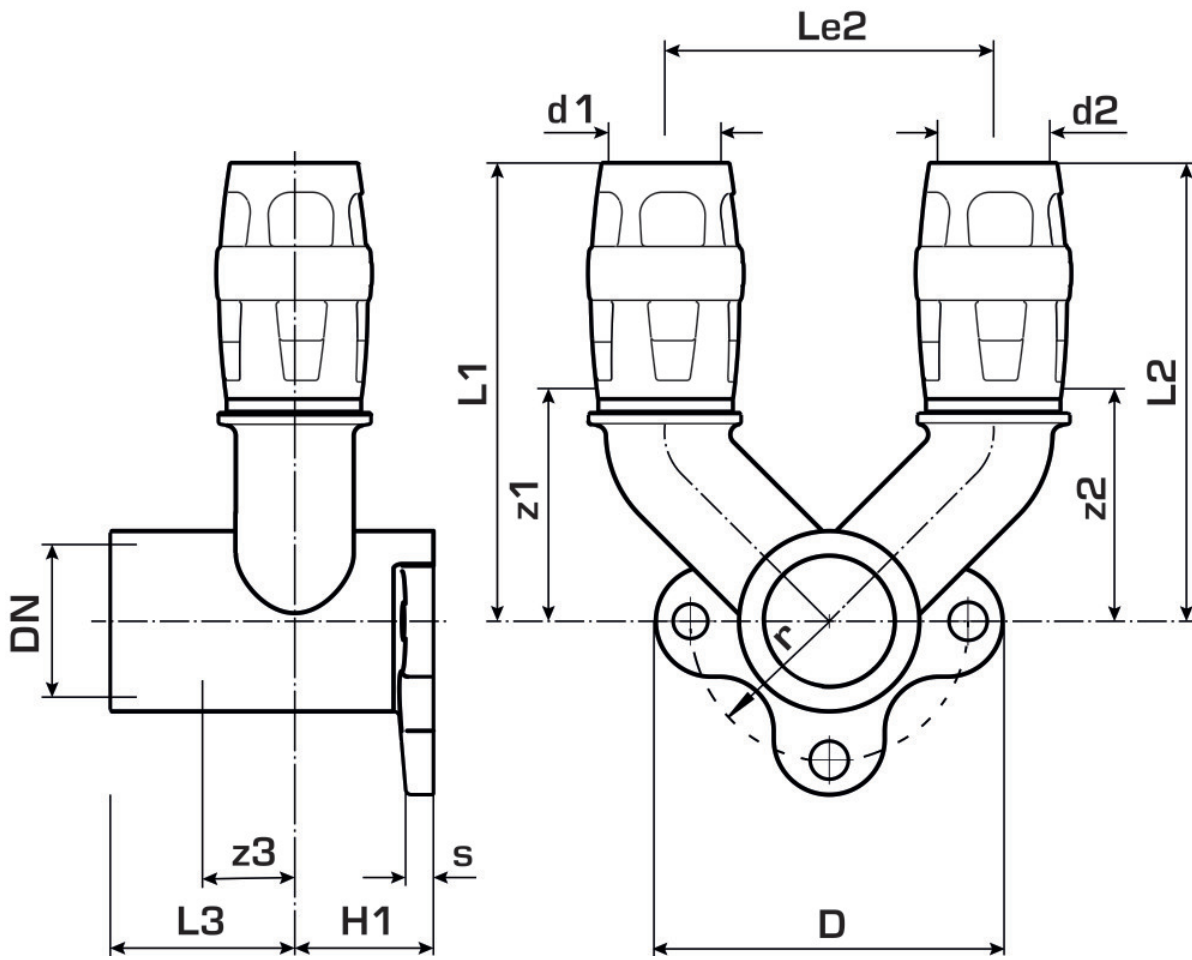
|           |                           |
|-----------|---------------------------|
| port 1    | Plug-in                   |
| port 2    | Plug-in                   |
| port 3    | Female thread metric      |
| execution | Miscellaneous             |
| design    | Continuously right-angled |

## Technical properties

|                                    |        |
|------------------------------------|--------|
| maximum working pressure at 20 ° C | 10 bar |
|------------------------------------|--------|

## Product information

|                     |   |
|---------------------|---|
| VPE1                | 10,00 SA1   |
| VPE2                | 40,00 KT1   |
| weight              | 0,272 KGM   |
| text                | KELOX-PROTEC double U wall bracket fitting female |
| INTRNR              | 74122000  |
| main material group | KELOX   |
| material group      | KELOX-PROtec pushfittings                         |
| code                | KMP477  |



| Art. No | label  | d3           | d1 mm | d2 mm | d3   | d1 mm | L1 mm | L2 mm | L3 mm | z1   | z2   | z3 | z1 mm | z2 mm | z3 mm |
|---------|--------|--------------|-------|-------|------|-------|-------|-------|-------|------|------|----|-------|-------|-------|
| 73254   | 20x1/2 | 1/2"<br>(15) | 20    | 20    | 26.5 | 20    | 68    | 26    | 27    | 31.5 | 31.5 | 9  | 34    | 10    | 8,5   |