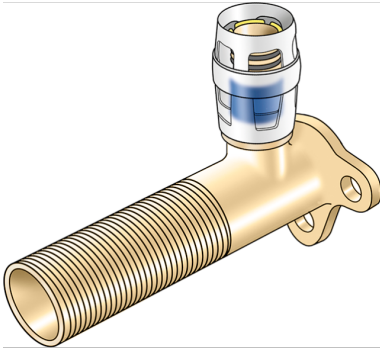


# KELOX

KMP481 KELOX-PROTEC wall bracket fitting 90°  
with 50mm male thread 20x1/2"x50

73256D02

## Areas of application



Plug-in wall bracket fitting with 50 mm male thread, made of dezincification-resistant brass (DZR), incl. push-on sleeve made of transparent polyamide, O-rings, withdrawal barriers and protector rings as an insertion locking device

Overall height: 1/2" - 85mm

## Approvals:



# Specifications

## Technical properties

**maximum working pressure at 20 ° C** 10 bar

## Product information

**VPE1** 10,00 SA1

**VPE2** 60,00 KT1

**weight** 0,196 KGM

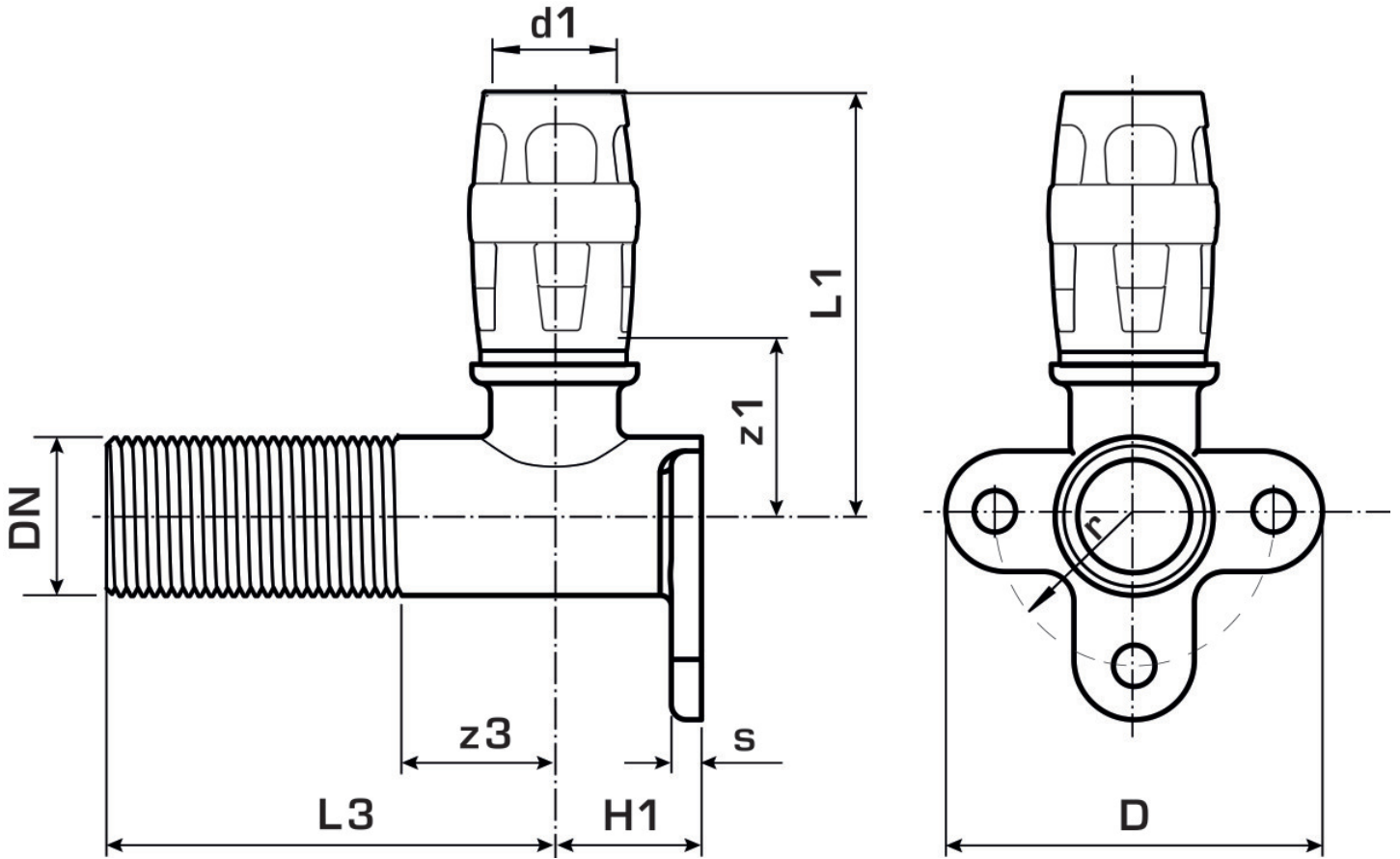
**text** KELOX-PROTEC wall bracket fitting 90° with 50mm male thread

**INTRNR** 74122000

**main material group** KELOX

**material group** KELOX-PROtec pushfittings

**code** KMP481



Art. No	label	d1 mm	d1 mm	L1 mm	L3 mm	z1 mm	z3 mm
73256D02	20x1/2"x50	20	20	60	60	27	10