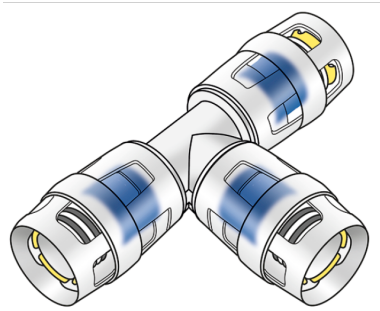


# KELOX

## KWP440 ?KELOX-PROTEC PPSU tee 25/16/25

73610EBE

### Areas of application



?Push-in tee equal or reduced, made of PPSU, incl. support sleeves, O-rings, pull-out barriers and a protector ring as an insertion locking device

### Approvals:



# Specifications

## Article information

|           |           |
|-----------|-----------|
| port 1    | Plug-in   |
| port 2    | Plug-in   |
| port 3    | Plug-in   |
| execution | Tee piece |
| angle     | 90 °      |

## Technical properties

|                                    |        |
|------------------------------------|--------|
| maximum working pressure at 20 ° C | 10 bar |
|------------------------------------|--------|

## Product information

|                     |                                |
|---------------------|--------------------------------|
| VPE1                | 4,00 SA1                       |
| VPE2                | 48,00 KT1                      |
| weight              | 0,060 KGM                      |
| text                | ?KELOX-PROTEC PPSU tee         |
| INTRNR              | 39174000                       |
| main material group | KELOX                          |
| material group      | KELOX-PROtec-PPSU pushfittings |
| code                | KWP440                         |



| Art. No  | label    | d1 mm | d2 mm | d3 mm | L1 mm | L2 mm | L3 mm | z1 mm | z2 mm | z3 mm |
|----------|----------|-------|-------|-------|-------|-------|-------|-------|-------|-------|
| 73610EBE | 25/16/25 | 25    | 16    | 25    | 58    | 57    | 58    | 21    | 17    | 21    |