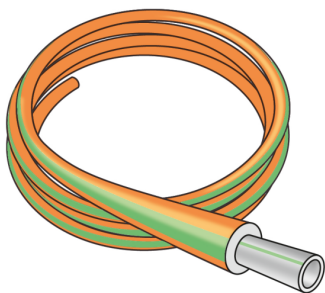


STEELOX

SMX133 STEELOX Plus pipe - 13mm 16x2

57018B00

Areas of application



STEELOX pipe conforming to ÖNORM B 5175, oxygen- and steam diffusion-tight multi-layer composite pipe made of stainless steel/PE-RT, with factory-applied 13 mm closed-cell soft foam insulation material and protective jacket made of viscoplastic PE film

Classification of operating conditions as per ÖNORM B 5175 - Class 2:

70°C/10 bar, max. operating temperature up to 80°C - accident temperature 100°C (max. 100h)

Insulation material thickness: 13mm

Colour: orange

Supplied in coils



KE KELIT GmbH

A 4020 Linz, Ignaz-Mayer-Straße 17, Austria, Europe

PHONE +43 (0) 50 779 E-MAIL office@kekelit.com

www.kekelit.com

Approvals:



Specifications

Article information

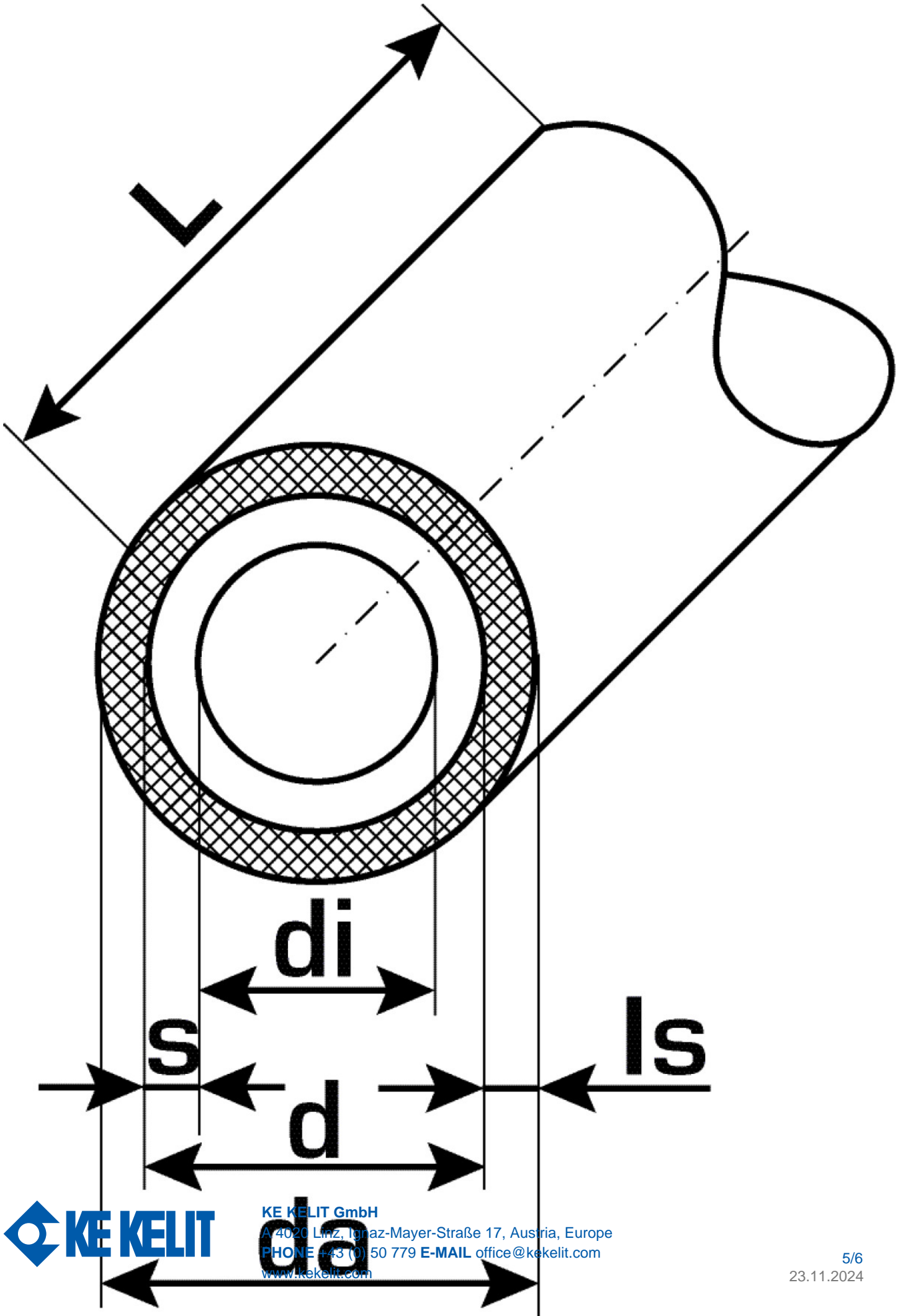
| | |
|------------------|--|
| color | Silver with green longitudinal stripes |
| colour isolation | Miscellaneous |
| flexible | Yes |
| trade length | 50 m |
| isolation | Yes |

Technical properties

| | |
|------------------------------------|----------------|
| maximum working pressure at 20 ° C | 10 bar |
| thick thermal insulation | 13 mm |
| pipe weight | 0,21 kg/m |
| pipe contents | 0,113 l/m |
| lambda pipe | 0,45 W/(m.K) |
| wall rawness | 0,01 mm |
| expansion coefficient | 0,045 mm/(m.K) |

Product information

| | |
|--------|--------------------------|
| VPE1 | 50,00 ROL |
| VPE2 | 600,00 PAL |
| L | 50 m |
| weight | 0,205 KGM |
| text | STEELOX Plus pipe - 13mm |
| INTRNR | 39173900 |
| code | SMX133 |



| Art. No | label | d1 mm | d Jacket tube mm | pipe contents l/m | s mm |
|----------|-------|-------|------------------|-------------------|------|
| 57018B00 | 16x2 | 16 | 42 | 0,113 | 2 |



KE KELIT GmbH

A 4020 Linz, Ignaz-Mayer-Straße 17, Austria, Europe

PHONE +43 (0) 50 779 **E-MAIL** office@kekelit.com

www.kekelit.com