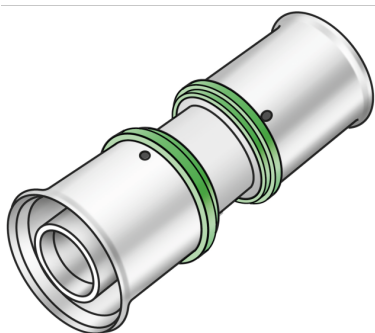


STEELOX

SMX410 STEELOX coupling 25/25

57100EE0

Areas of application



?Press coupling, equal or reduced, made of non-porous metallised dezincification-resistant (DZR) brass, incl. support sleeves with O-rings and stainless steel pressing sleeves, "leak before pressed"

Approvals:



KE KELIT GmbH

A 4020 Linz, Ignaz-Mayer-Straße 17, Austria, Europe

PHONE +43 (0) 50 779 E-MAIL office@kekelit.com

www.kekelit.com

Specifications

Article information

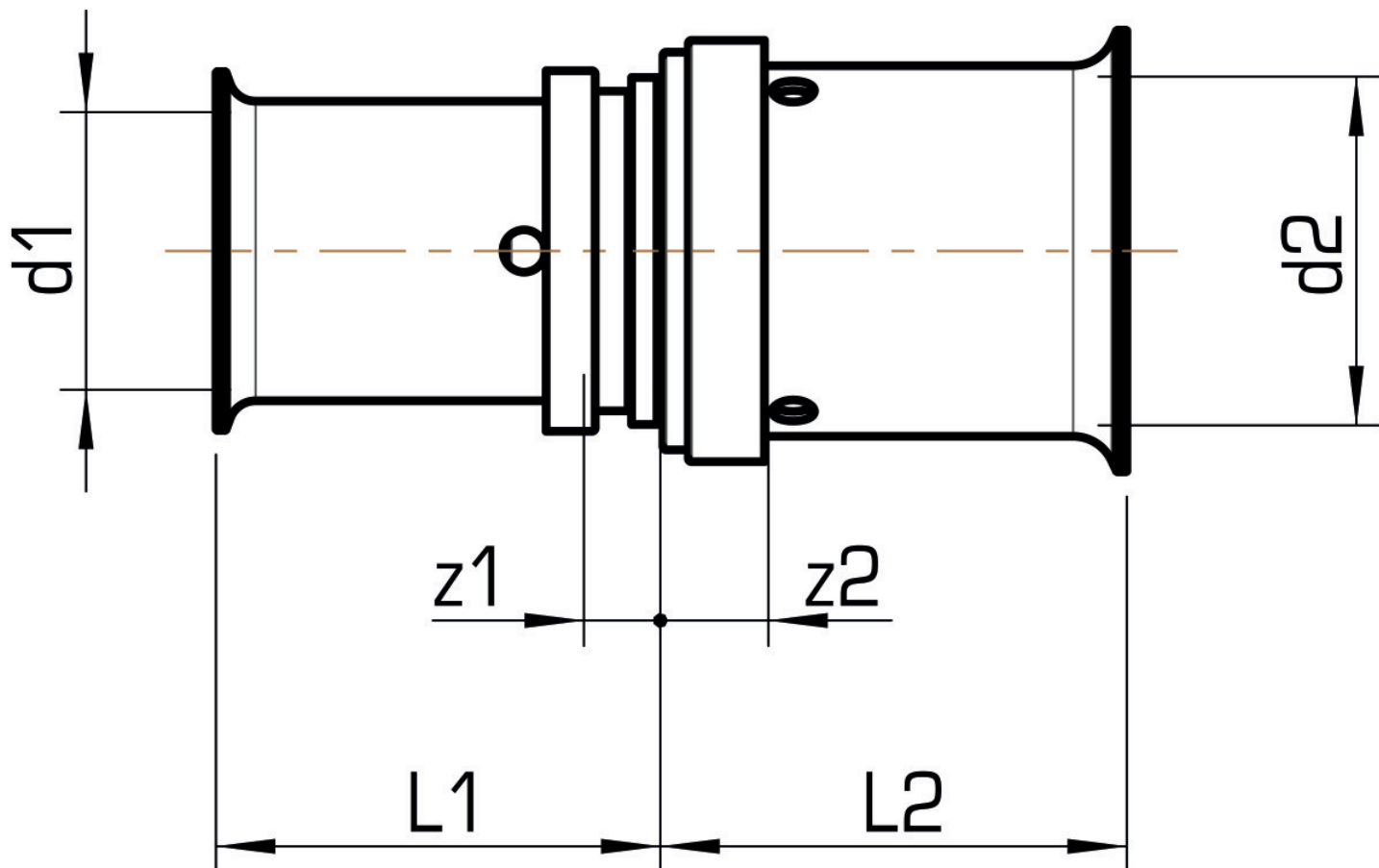
| | |
|---------------|-----------------|
| port 1 | Pressing socket |
| port 2 | Pressing socket |
| execution | 1-part |
| design | Straight |
| press contour | SX |

Technical properties

| | |
|------------------------------------|--------|
| maximum working pressure at 20 ° C | 10 bar |
|------------------------------------|--------|

Product information

| | |
|--------|------------------|
| VPE1 | 10,00 SA1 |
| VPE2 | 100,00 KT1 |
| weight | 0,112 KGM |
| text | STEELOX coupling |
| INTRNR | 74122000 |
| code | SMX410 |



| Art. No | label | d1 mm | d2 mm | L1 mm | L2 mm | z1 mm | z2 mm |
|----------|-------|-------|-------|-------|-------|-------|-------|
| 57100EE0 | 25/25 | 25 | 25 | 36 | 36 | 3 | 3 |