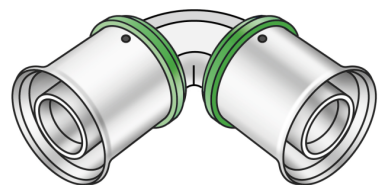


# STEELOX

## SMX420Z ?STEELOX 90° zeta elbow 25

57104EE0

### Areas of application



?Zeta-optimised press-fit 90° elbow for changing direction with a minimal radius, made of non-porous metallised dezincification-resistant (DZR) brass, incl. support sleeves with O-rings and stainless steel pressing sleeves, "leak before pressed"

### Approvals:



KE KELIT GmbH

A 4020 Linz, Ignaz-Mayer-Straße 17, Austria, Europe

PHONE +43 (0) 50 779 E-MAIL [office@kekelit.com](mailto:office@kekelit.com)

[www.kekelit.com](http://www.kekelit.com)

# Specifications

## Article information

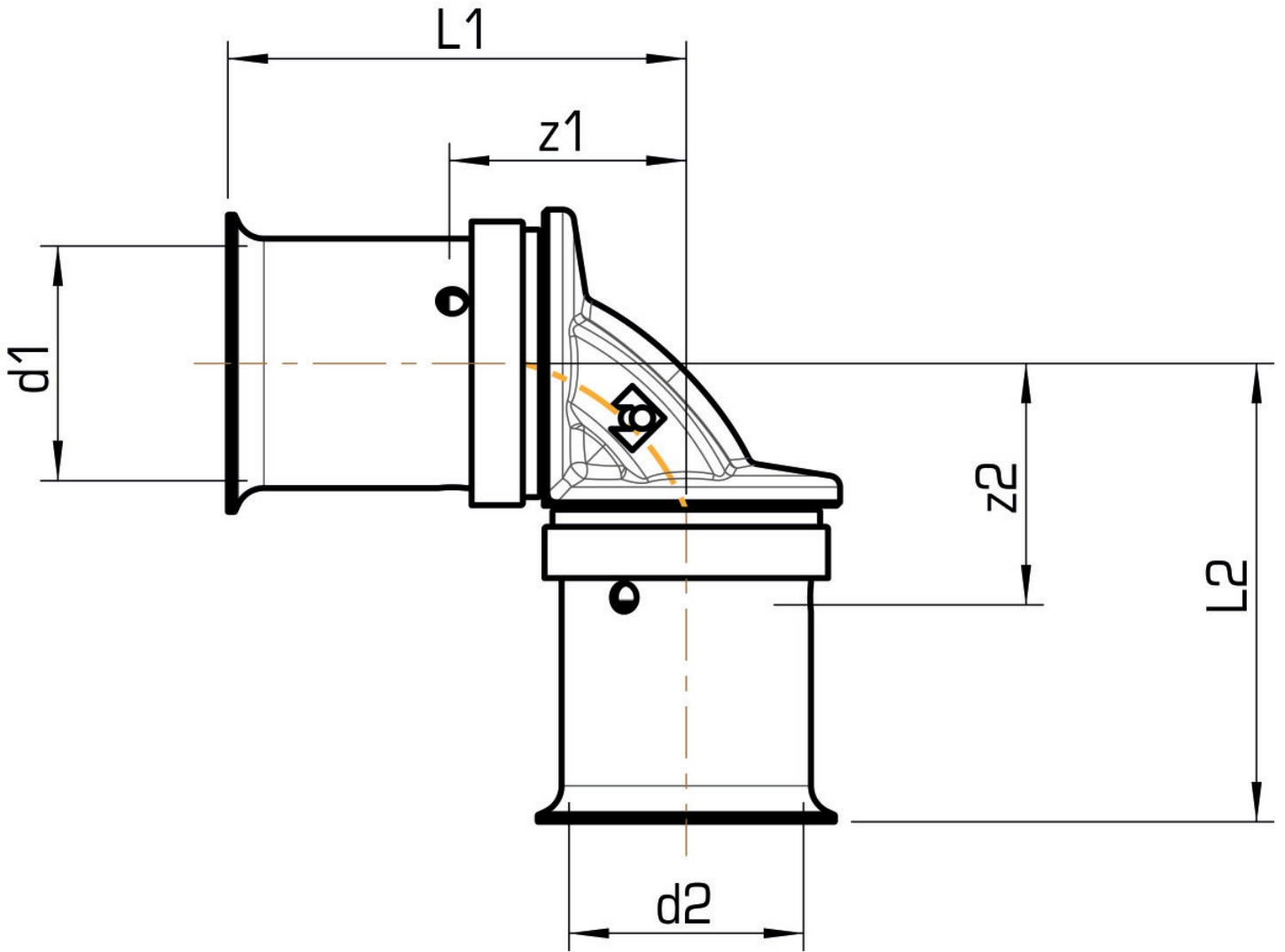
port 1	Pressing socket
port 2	Pressing socket
execution	1-part
design	Knee
angle	90 °
press contour	SX

## Technical properties

maximum working pressure at 20 ° C	10 bar
------------------------------------	--------

## Product information

VPE1	10,00 SA1
VPE2	70,00 KT1
weight	0,180 KGM
text	?STEELOX 90° zeta elbow
INTRNR	74122000
code	SMX420Z



Art. No	label	d1 mm	d2 mm	L1 mm	L2 mm	z1 mm	z2 mm
57104EE0	25	25	25	51	51	18,5	18,5