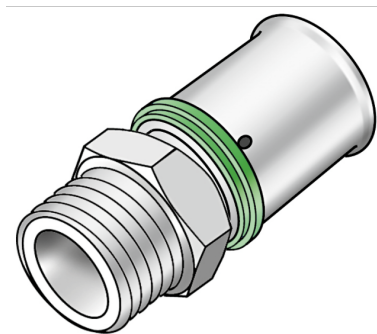


STEELOX

SMX450 ?STEELOX adapter with male thread 20x1/2"

57202D02

Areas of application



?Press-fit adapter with male thread for sealing, made of non-porous metallised dezincification-resistant (DZR) brass, incl. support sleeves with O-rings and stainless steel pressing sleeves, "leak before pressed"

Approvals:



KE KELIT GmbH

A 4020 Linz, Ignaz-Mayer-Straße 17, Austria, Europe

PHONE +43 (0) 50 779 E-MAIL office@kekelit.com

www.kekelit.com

Specifications

Article information

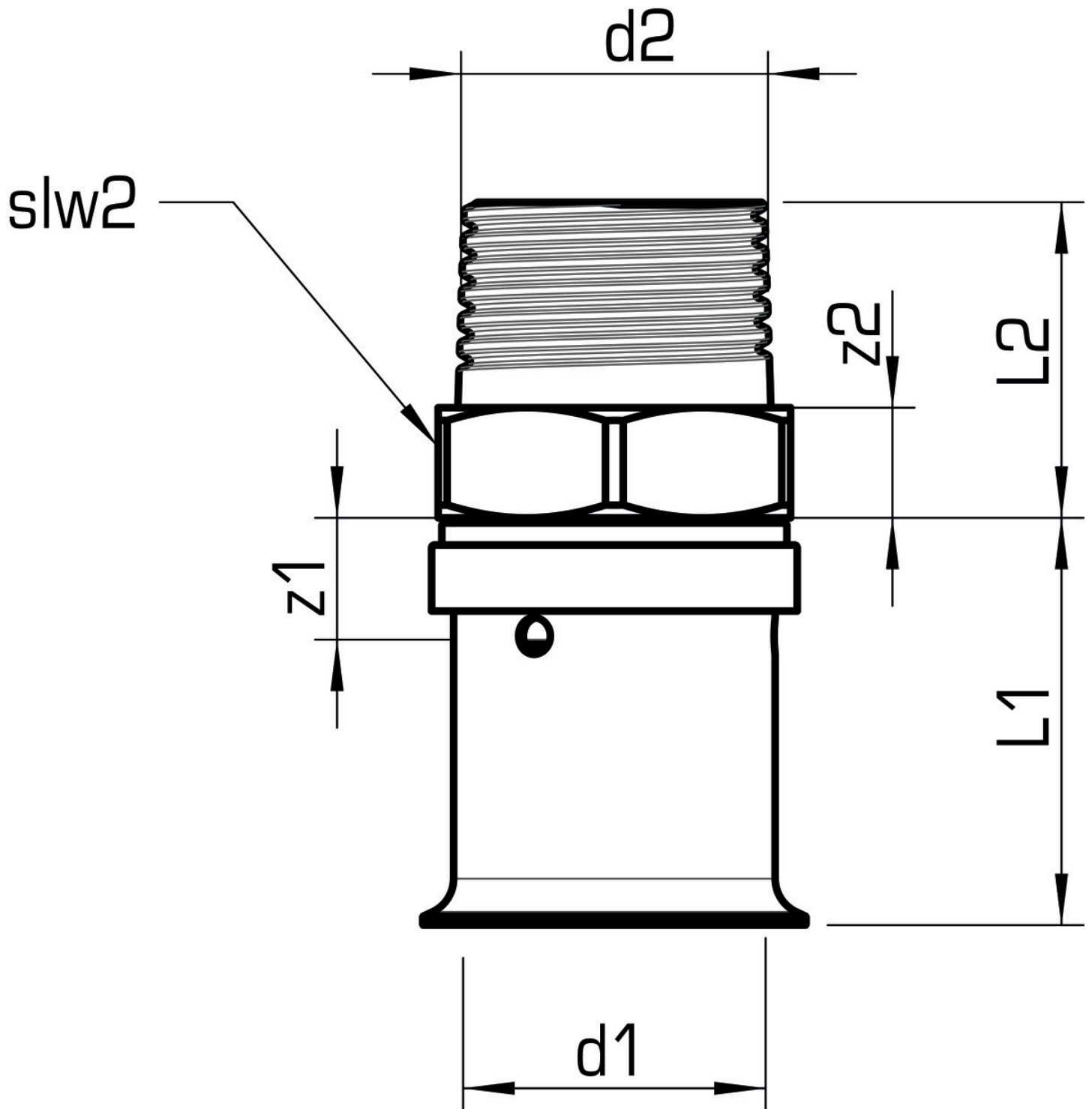
| | |
|---------------|----------------------------|
| port 1 | Pressing socket |
| port 2 | Male thread, conical (NPT) |
| execution | 1-part |
| design | Straight |
| press contour | SX |

Technical properties

| | |
|------------------------------------|--------|
| maximum working pressure at 20 ° C | 10 bar |
|------------------------------------|--------|

Product information

| | |
|--------|-----------------------------------|
| VPE1 | 10,00 SA1 |
| VPE2 | 200,00 KT1 |
| weight | 0,074 KGM |
| text | ?STEELOX adapter with male thread |
| INTRNR | 74122000 |
| code | SMX450 |



| Art. No | label | d2 Inches | d1 mm | L1 mm | L2 mm | z1 mm | z2 mm | slw1 | slw2 mm |
|----------|---------|--------------|-------|-------|-------|-------|-------|------|------------|
| 57202D02 | 20x1/2" | 1/2" (15) | 20 | 30 | 21,5 | 5 | 4 | 24 | 24 |



KE KELIT GmbH

A 4020 Linz, Ignaz-Mayer-Straße 17, Austria, Europe

PHONE +43 (0) 50 779 **E-MAIL** office@kekelit.com

www.kekelit.com