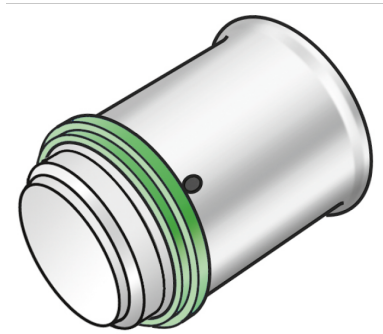


# STEELOX

## SMX471 STEELOX end cap 16

57120B00

### Areas of application



?Press-fit end cap, equal or reduced, made of dezincification-resistant (DZR) non-porous metallised brass, incl. support sleeves with O-rings and stainless steel pressing sleeves, "leak before pressed"

### Approvals:



KE KELIT GmbH

A 4020 Linz, Ignaz-Mayer-Straße 17, Austria, Europe

PHONE +43 (0) 50 779 E-MAIL [office@kekelit.com](mailto:office@kekelit.com)

[www.kekelit.com](http://www.kekelit.com)

# Specifications

## Article information

**port 1** Pressmuffe

**press contour** SX

## Product information

**VPE1** 10,00 SA1

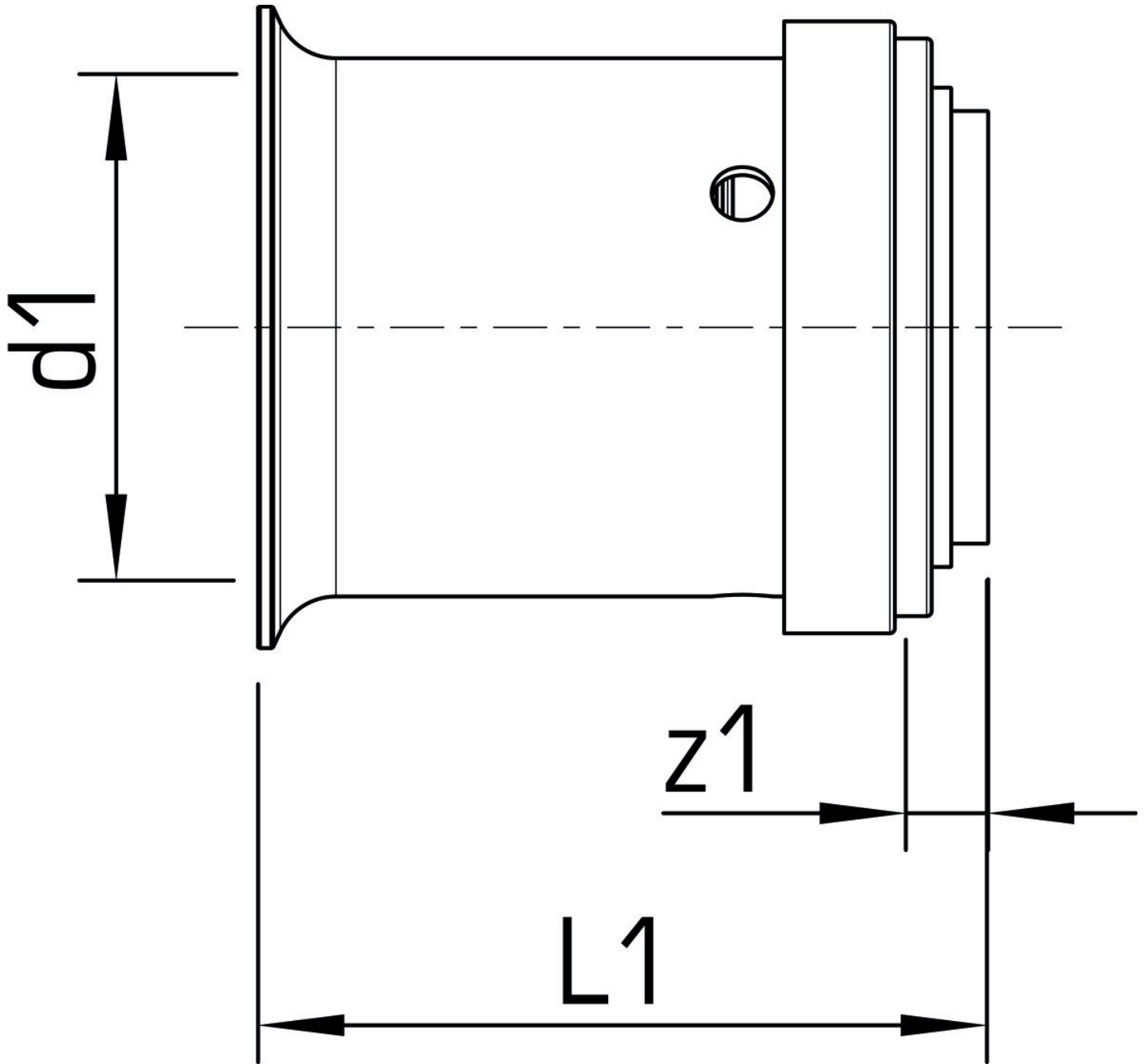
**VPE2** 200,00 KT1

**weight** 0,026 KGM

**text** STEELOX end cap

**INTRNR** 74122000

**code** SMX471



Art. No	label	d1 mm	L1 mm	z1 mm
57120B00	16	16	26	7