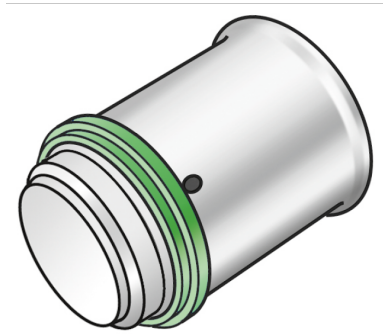


STEELOX

SMX471 STEELOX end cap 20

57120D00

Areas of application



?Press-fit end cap, equal or reduced, made of dezincification-resistant (DZR) non-porous metallised brass, incl. support sleeves with O-rings and stainless steel pressing sleeves, "leak before pressed"

Approvals:



KE KELIT GmbH

A 4020 Linz, Ignaz-Mayer-Straße 17, Austria, Europe

PHONE +43 (0) 50 779 E-MAIL office@kekelit.com

www.kekelit.com

Specifications

Article information

port 1 Pressmuffe

press contour SX

Product information

VPE1 10,00 SA1

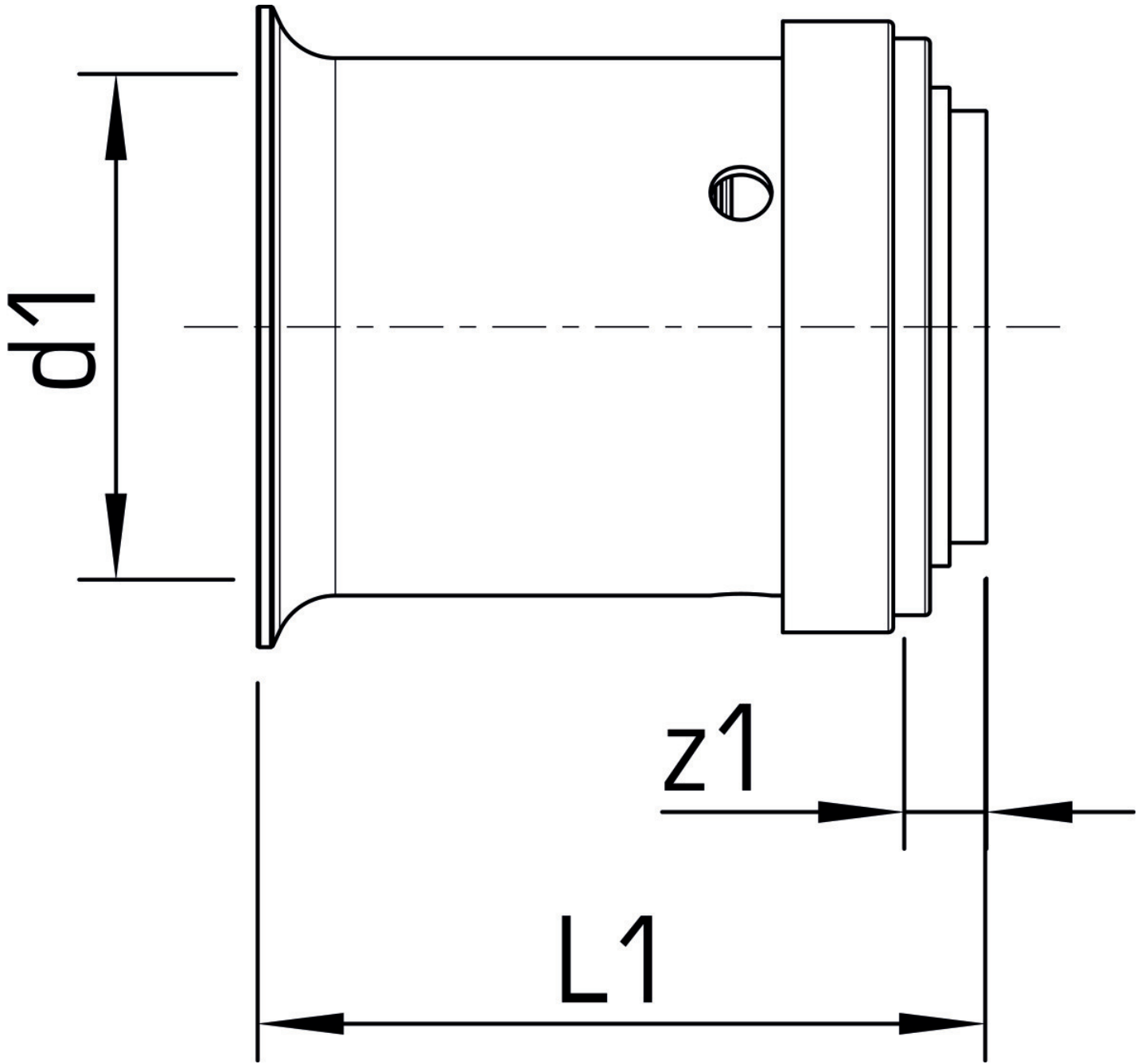
VPE2 200,00 KT1

weight 0,041 KGM

text STEELOX end cap

INTRNR 74122000

code SMX471



Art. No	label	d1 mm	L1 mm	z1 mm
57120D00	20	20	24	7