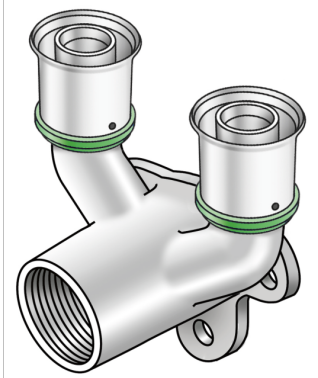


# STEELOX

SMX477 ?STEELOX double U wall bracket fitting with female thread 25x1/2"

57254E2E

## Areas of application



Press-fit double-U wall bracket fitting with female thread made from non-porous dezincification-resistant (DZR) brass; including support sleeves with O-rings and stainless steel press-fit sleeves, "leak before pressed"

Overall height:

1/2" - 46mm

3/4" - 46.5mm

DO NOT screw in threaded pipes and cast iron fittings!

## Approvals:



# Specifications

## Article information

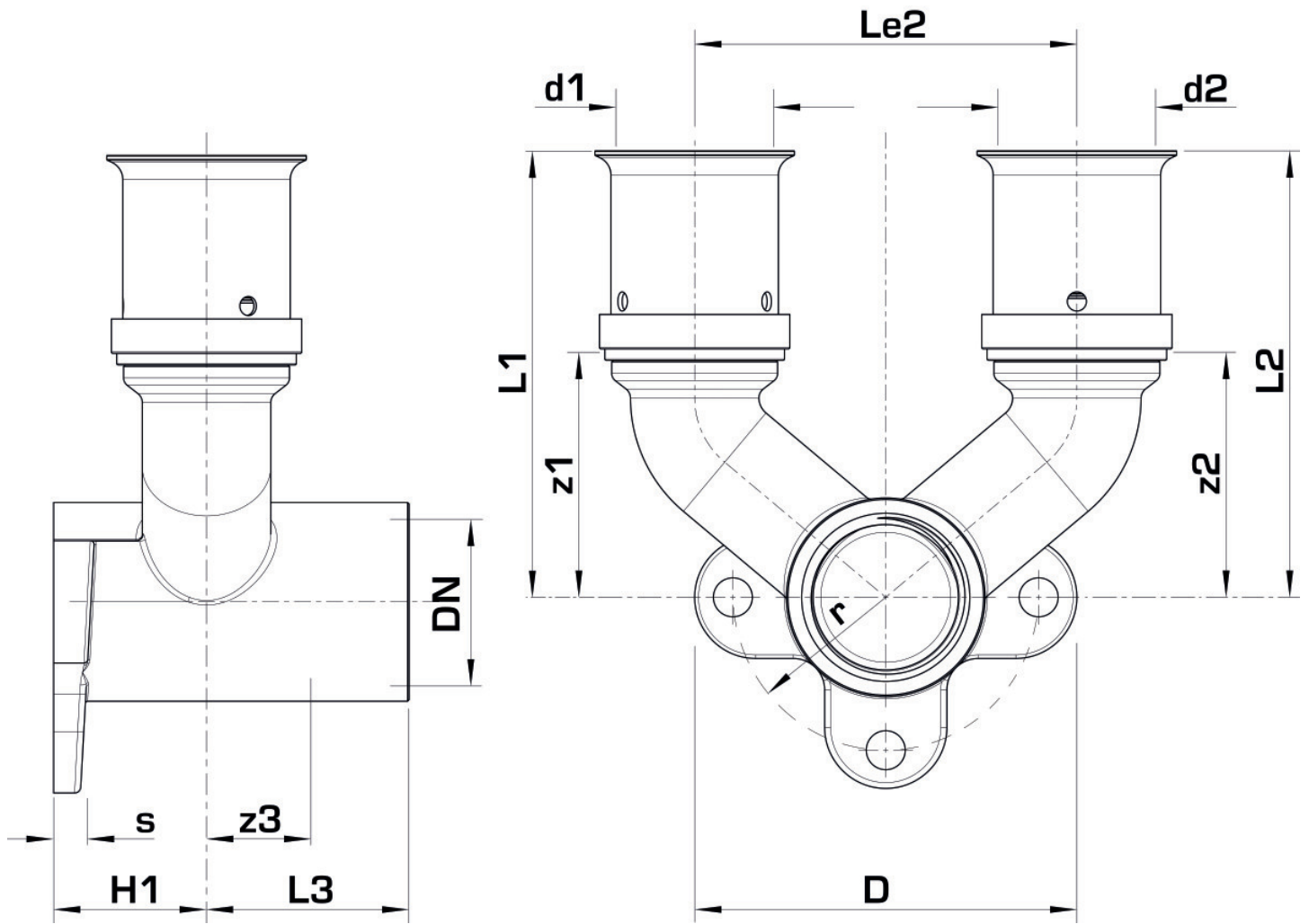
port 1	Pressing socket
design	Continuously right-angled
press contour	SX

## Technical properties

maximum working pressure at 20 ° C	10 bar
------------------------------------	--------

## Product information

VPE1	4,00 SA1
VPE2	32,00 KT1
weight	0,360 KGM
text	?STEELOX double U wall bracket fitting with female thread
INTRNR	74122000
code	SMX477



Art. No	label	d1 mm	L1 mm	L2 mm	L3 mm	z1 mm	z2 mm	z3 mm
57254E2E	25x1/2"	25	75	27	20	44	11	25,5