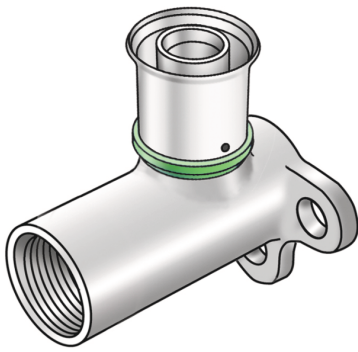


STEELOX

SMX480L STEELOX 90° wall bracket fitting with 20mm female thread 20x1/2"

57251D02

Areas of application



Press-fit wall bracket fitting elbow with female thread, extended by 20mm, made from dezincification-resistant (DZR) non-porous metallised brass; including support sleeves with O-rings and stainless steel press-fit sleeves, "leak before pressed" Overall height:

1/2" - 66mm

DO NOT screw in threaded pipes and cast iron fittings!

Approvals:



Specifications

Article information

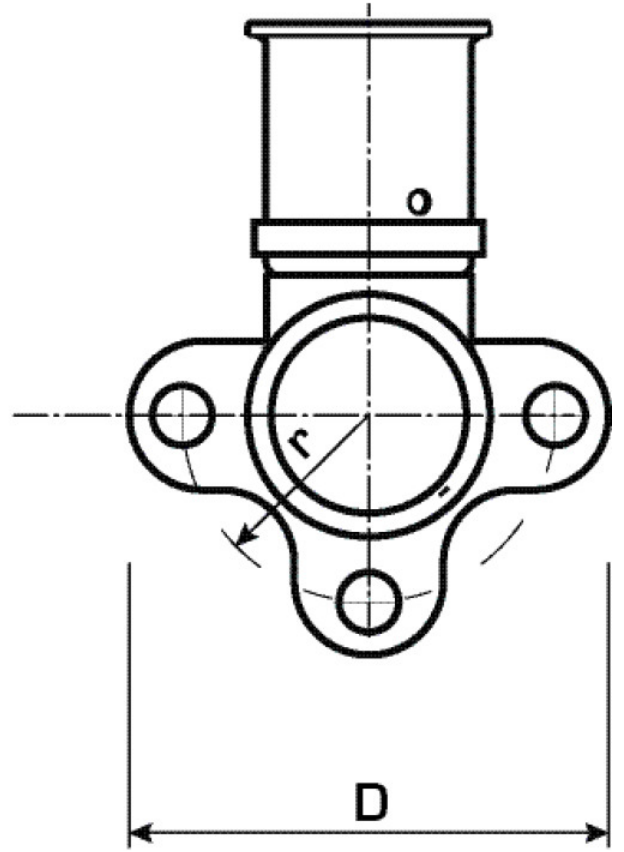
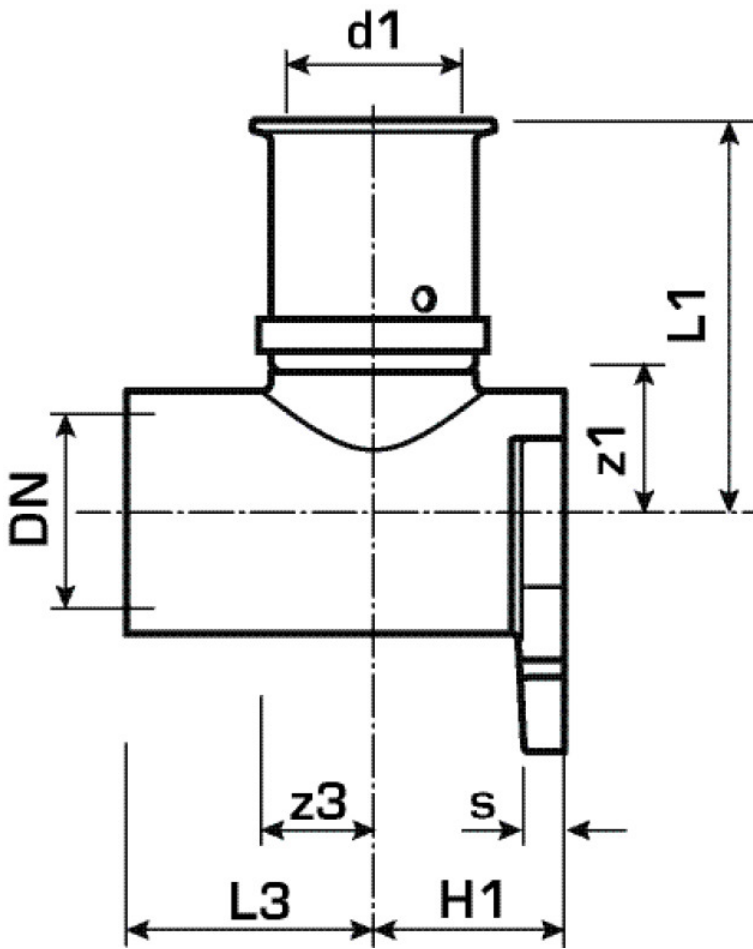
| | |
|---------------|--------------------------|
| port 1 | Pressmuffe |
| design | Durchgängig rechtwinklig |
| press contour | SX |

Technical properties

| | |
|------------------------------------|--------|
| maximum working pressure at 20 ° C | 10 bar |
|------------------------------------|--------|

Product information

| | |
|--------|--|
| VPE1 | 10,00 SA1 |
| VPE2 | 60,00 KT1 |
| weight | 0,173 KGM |
| text | STEELOX 90° wall bracket fitting with 20mm female thread |
| INTRNR | 74122000 |
| code | SMX480L |



| Art. No | label | d1 mm | L1 mm | L3 mm | z1 mm | z3 mm |
|----------|---------|-------|-------|-------|-------|-------|
| 57251D02 | 20x1/2" | 20 | 41,5 | 45 | 17 | 9 |