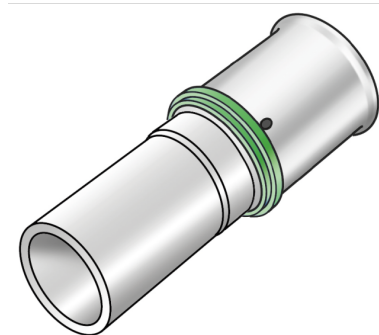


# STEELOX

## SMX489 ?STEELOX - STEELFIX adapter 20/22

57272DD0

### Areas of application



?Press-fit adapter, straight, made of Steelfix/Copperfix pipe dimension to STEELOX pressing socket made of non-porous metallised red brass, incl. support sleeves with O-rings and stainless steel pressing sleeves, "leak before pressed"

ATTENTION! Connection to pipe end only suitable as a compression fitting or press-fit connection!

### Approvals:



KE KELIT GmbH

A 4020 Linz, Ignaz-Mayer-Straße 17, Austria, Europe

PHONE +43 (0) 50 779 E-MAIL [office@kekelit.com](mailto:office@kekelit.com)

[www.kekelit.com](http://www.kekelit.com)

# Specifications

## Article information

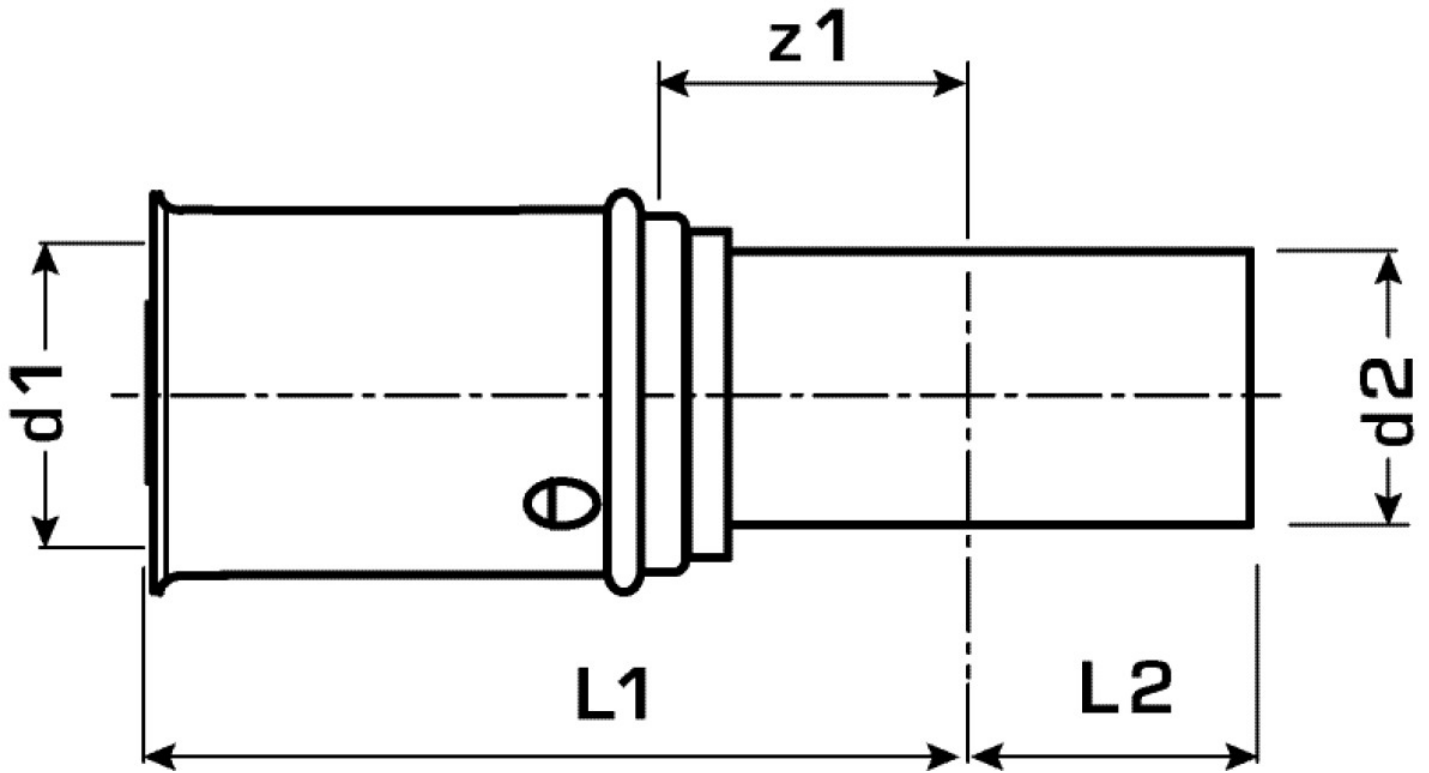
port 1	Pressing socket
port 2	Zapfen/Rohrende
execution	1-part
design	Straight
press contour	SX

## Technical properties

maximum working pressure at 20 ° C	10 bar
------------------------------------	--------

## Product information

VPE1	10,00 SA1
VPE2	100,00 KT1
weight	0,060 KGM
text	?STEELOX - STEELFIX adapter
INTRNR	74122000
code	SMX489



Art. No	label	d1 mm	d2 mm	L1 mm	L2 mm	z1 mm
57272DD0	20/22	20	22	29	29	3