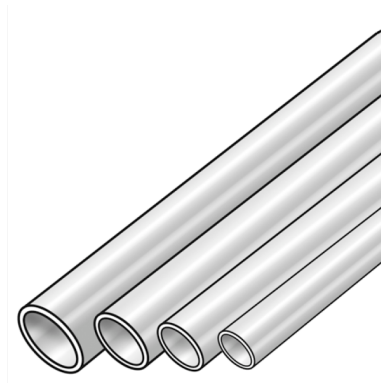


STEEL FIX C-STAHL

CF100 C-Steel pipe 22x1,5

54001D00

Areas of application



Thin-walled, longitudinally welded stainless steel precision pipes according to EN 10305-3 with particularly low carbon content and with the outside protected by a thermally applied zinc layer and a passivating/chromium layer.

Application area: closed heating and cooling circuits

Operating temperature: - 35°C to 120°C/16bar - tmax 150°C - short-term

Rod length: 6m

Specifications

Technical properties

pipe weight 0,76 kg/m

pipe contents 0,284 l/m

Product information

VPE1 360 BND

L 6 m

weight 0,76 KGM

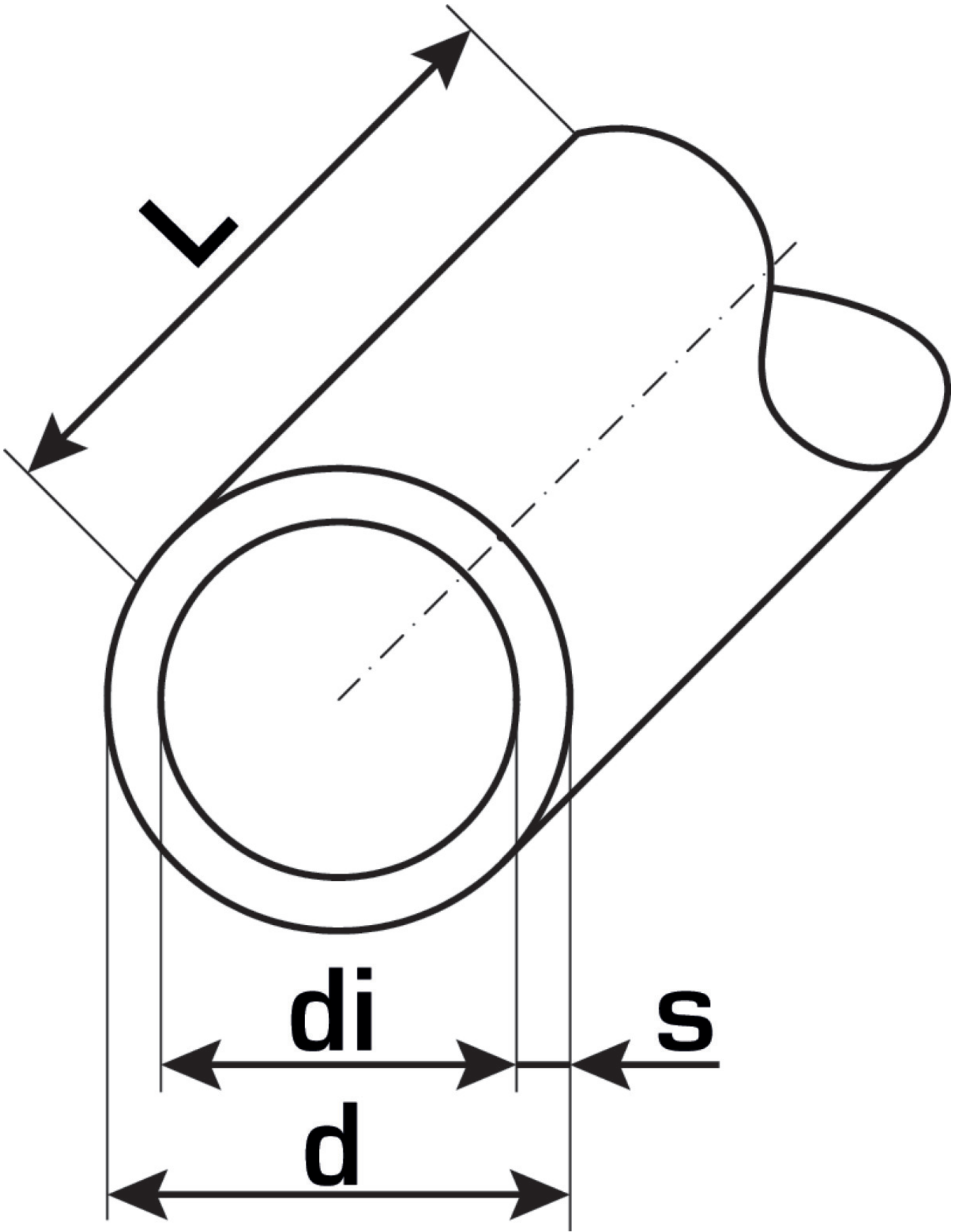
text C-Steel pipe

INTRNR 73065080

main material group STEELFIX

material group C-STAHl pipes

code CF100



Art. No	label	d	d1 mm	pipe contents l/m	s mm
54001D00	22x1,5	19	22	0,284	1,5



KE KELIT GmbH

A 4020 Linz, Ignaz-Mayer-Straße 17, Austria, Europe

PHONE +43 (0) 50 779 **E-MAIL** office@kekelit.com

www.kekelit.com