

STEEL FIX C-STAHl

CP410 STEELFIX carbon steel press-fit coupling
35

54600FF0

Areas of application



Press coupling straight made of carbon steel coated with a zinc layer, incl. EPDM sealing elements,
d15-54 "leak before pressed"

Press contour: M

Specifications

Article information

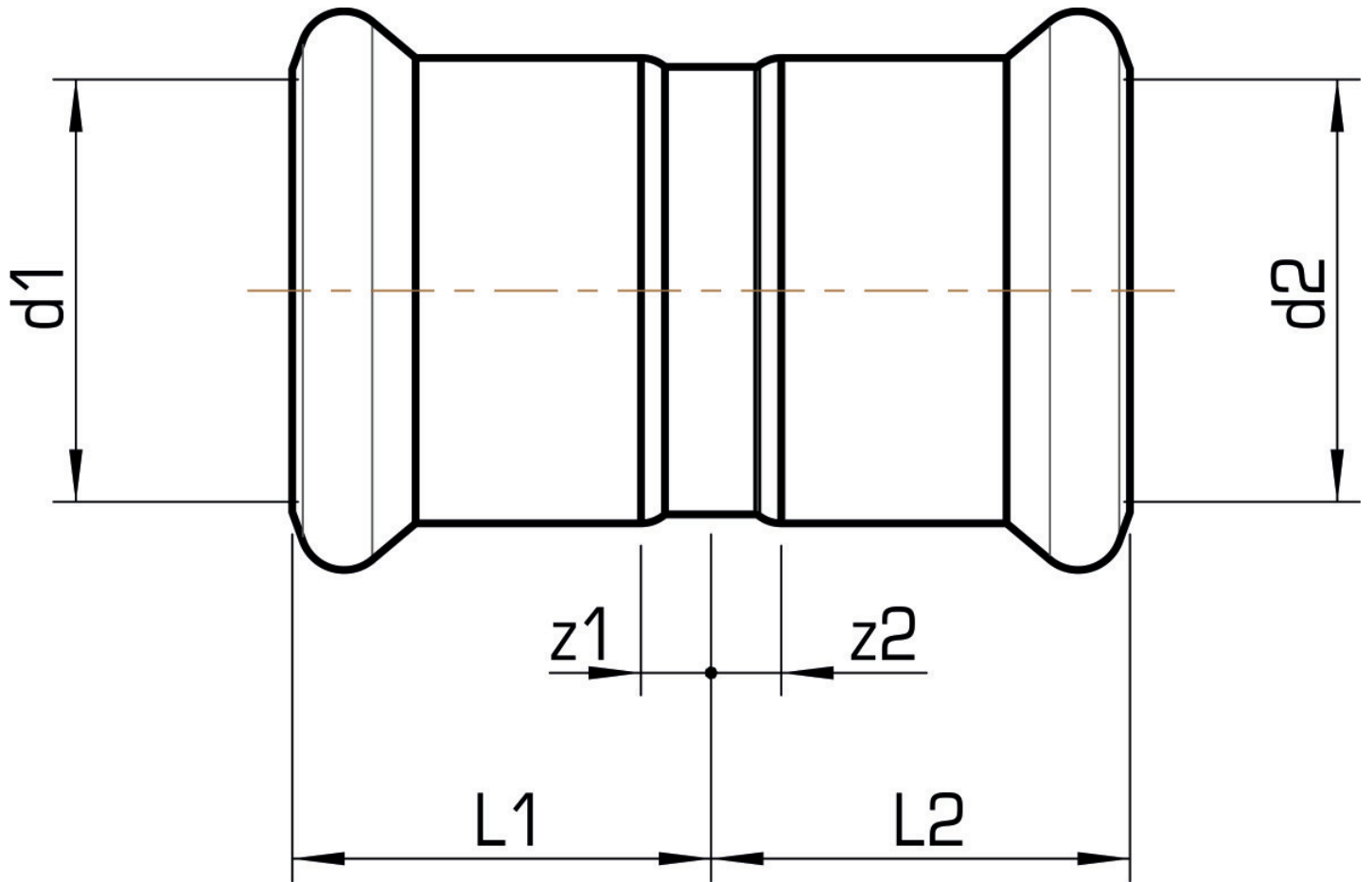
| | |
|---------------|------------|
| port 1 | Pressmuffe |
| port 2 | Pressmuffe |
| execution | 1-part |
| design | gerade |
| press contour | M |

Technical properties

| | |
|------------------------------------|--------|
| maximum working pressure at 20 ° C | 16 bar |
|------------------------------------|--------|

Product information

| | |
|---------------------|--|
| VPE1 | 5,00 SA1 |
| VPE2 | 40,00 KT1 |
| VPE3 | 1000,00 DDP |
| weight | 0,121 KGM |
| text | STEELFIX carbon steel press-fit coupling |
| INTRNR | 73079980 |
| main material group | STEELFIX |
| material group | C-STAHL pressfittings |
| code | CP410 |



| Art. No | label | d1 mm | d2 mm | L1 mm | L2 mm | z1 mm | z2 mm |
|----------|-------|-------|-------|-------|-------|-------|-------|
| 54600FF0 | 35 | 35 | 35 | 31 | 31 | 5 | 5 |