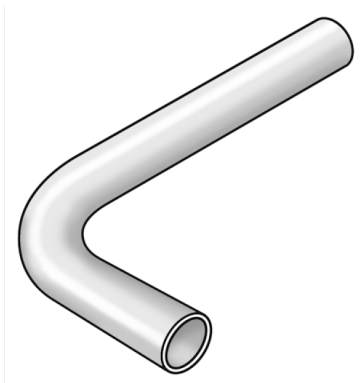


# STEEL FIX C-STAHl

CP422 STEELFIX carbon steel press-fit elbow  
90° male/male 54

54617HH0

## Areas of application



Elbow 90° male/male made of carbon steel, coated with a zinc layer

Dimensions:

d15-22 - 120x70mm

d28 - 120x80mm

d35 - 200x120mm

d42 - 250x150mm

d54 - 300x200mm



KE KELIT GmbH

A 4020 Linz, Ignaz-Mayer-Straße 17, Austria, Europe

PHONE +43 (0) 50 779 E-MAIL [office@kekelit.com](mailto:office@kekelit.com)

[www.kekelit.com](http://www.kekelit.com)

# Specifications

## Article information

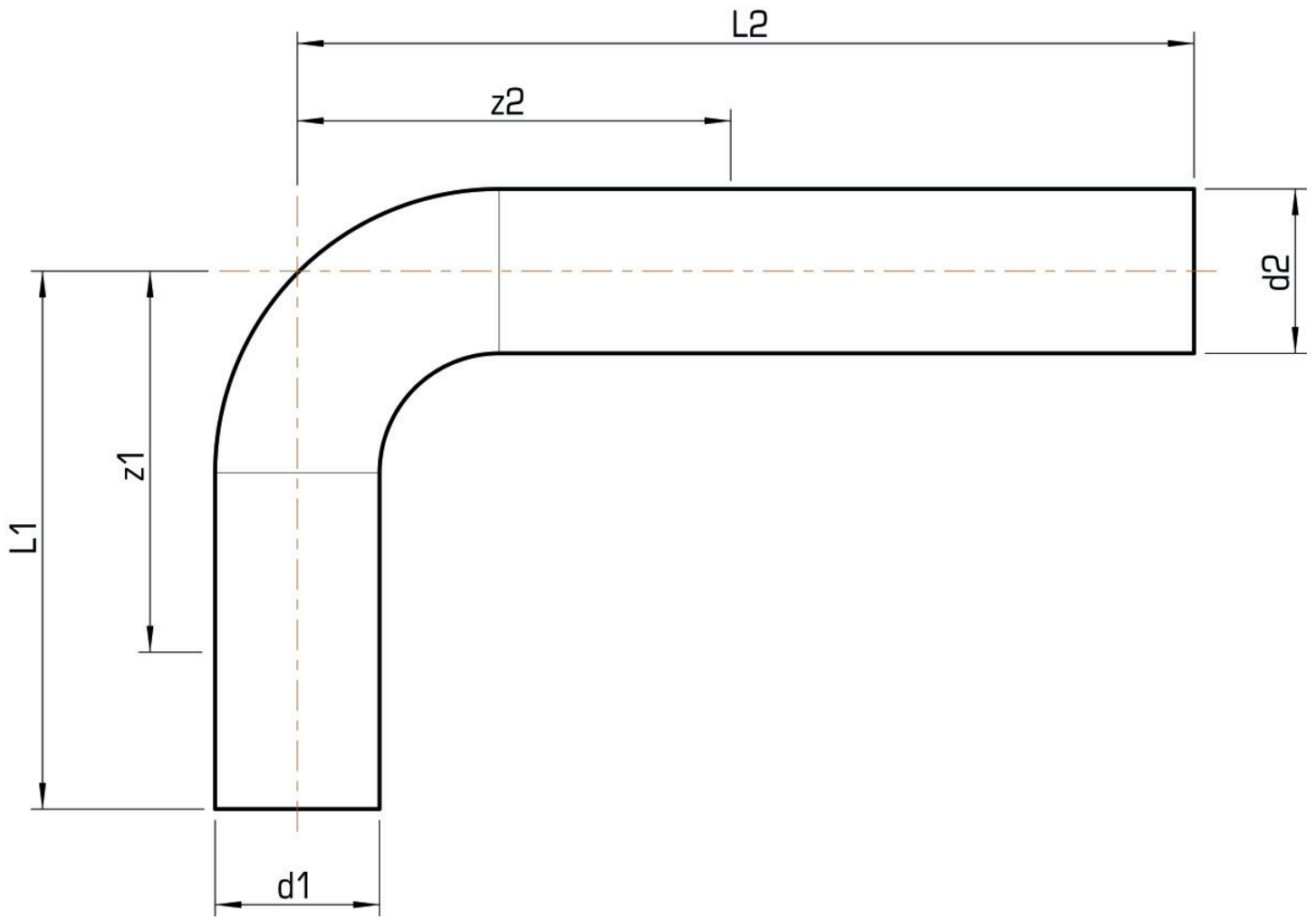
port 1	Zapfen/Rohrende
port 2	Zapfen/Rohrende
execution	1-part
design	Bogen
angle	90 °

## Technical properties

maximum working pressure at 20 ° C	16 bar
------------------------------------	--------

## Product information

VPE1	2,00 KT1
weight	1,184 KGM
text	STEELFIX carbon steel press-fit elbow 90° male/male
INTRNR	73079980
main material group	STEELFIX
material group	C-STAHL pressfittings
code	CP422



Art. No	label	d1 mm	d2 mm	L1 mm	L2 mm	z1 mm	z2
54617HH0	54	54	54	200	300	165	120