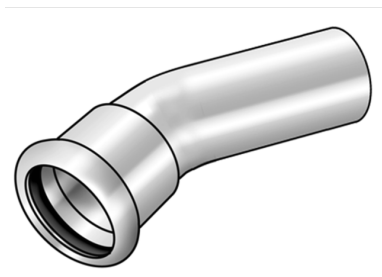


# STEEL FIX C-STAHL

CP424 C-Steel press-elbow 30° male/female 76,1

54619JJ0

## Areas of application



Press-elbow 30°, f/m, made of carbon steel coated with a zinc layer, incl. EPDM sealing elements, d42-54 "not pressed, not sealed"

Press contour: M

# Specifications

## Article information

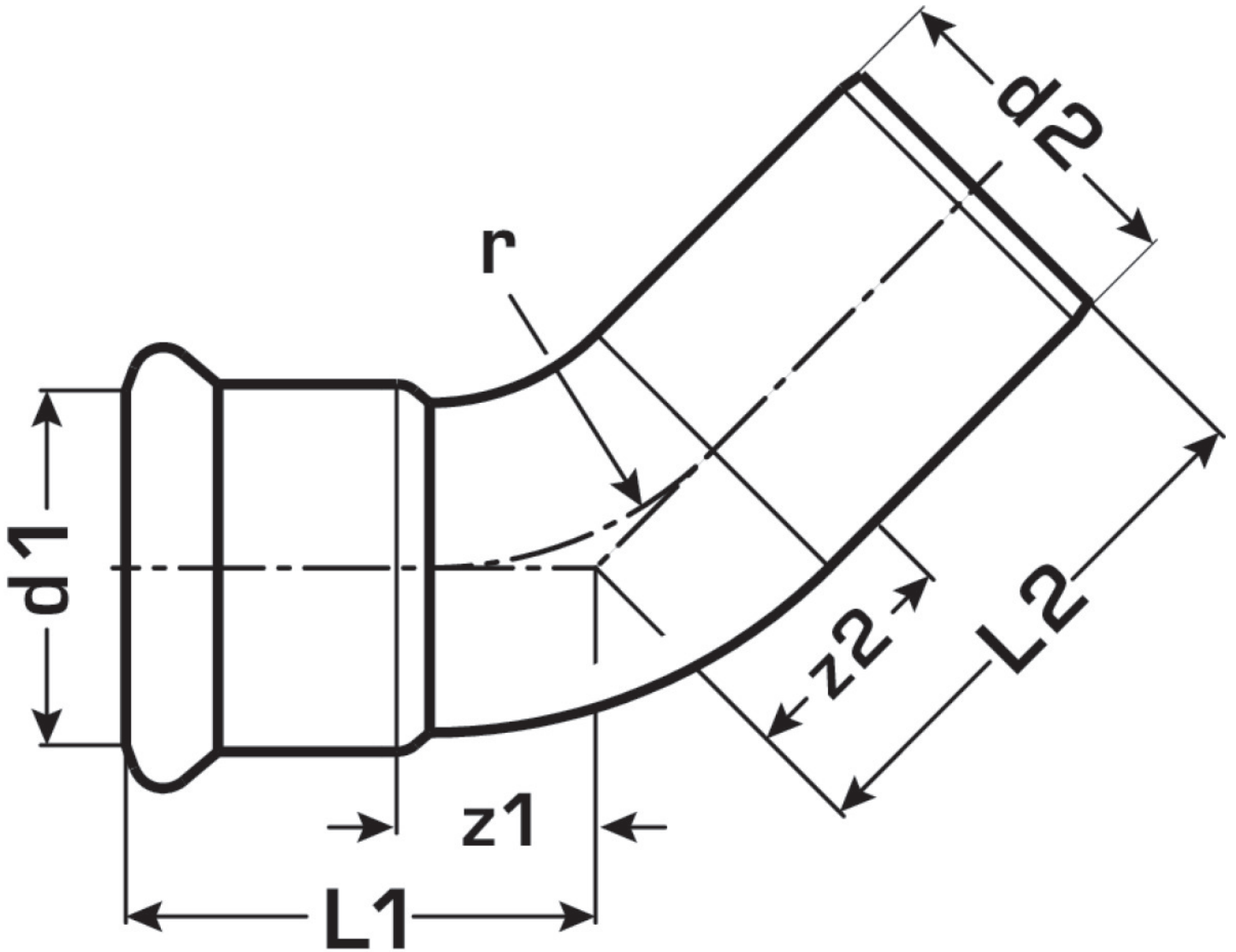
port 1	Pressmuffe
port 2	Pressmuffe
execution	1-teilig
design	Winkel
angle	30 °
press contour	M

## Technical properties

maximum working pressure at 20 ° C	16 bar
------------------------------------	--------

## Product information

VPE1	2 SA1
weight	1,41 KGM
text	C-Steel press-elbow 30° male/female
INTRNR	73079980
main material group	STEELFIX
material group	C-STAHL pressfittings
code	CP424



Art. No	label	d1 mm	d2 mm
54619JJ0	76,1	76.1	76.1