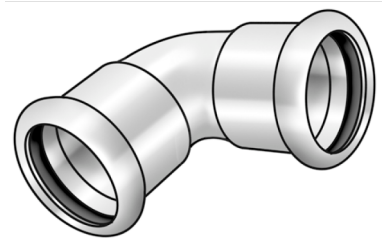


# STEEL FIX C-STAHl

CP425 C-Steel press-elbow 45° 66,7

54620110

## Areas of application



Press-elbow 45°, made of carbon steel coated with a zinc layer, incl. EPDM sealing elements, d15-54 "not pressed, not sealed"

Press contour: M

# Specifications

## Article information

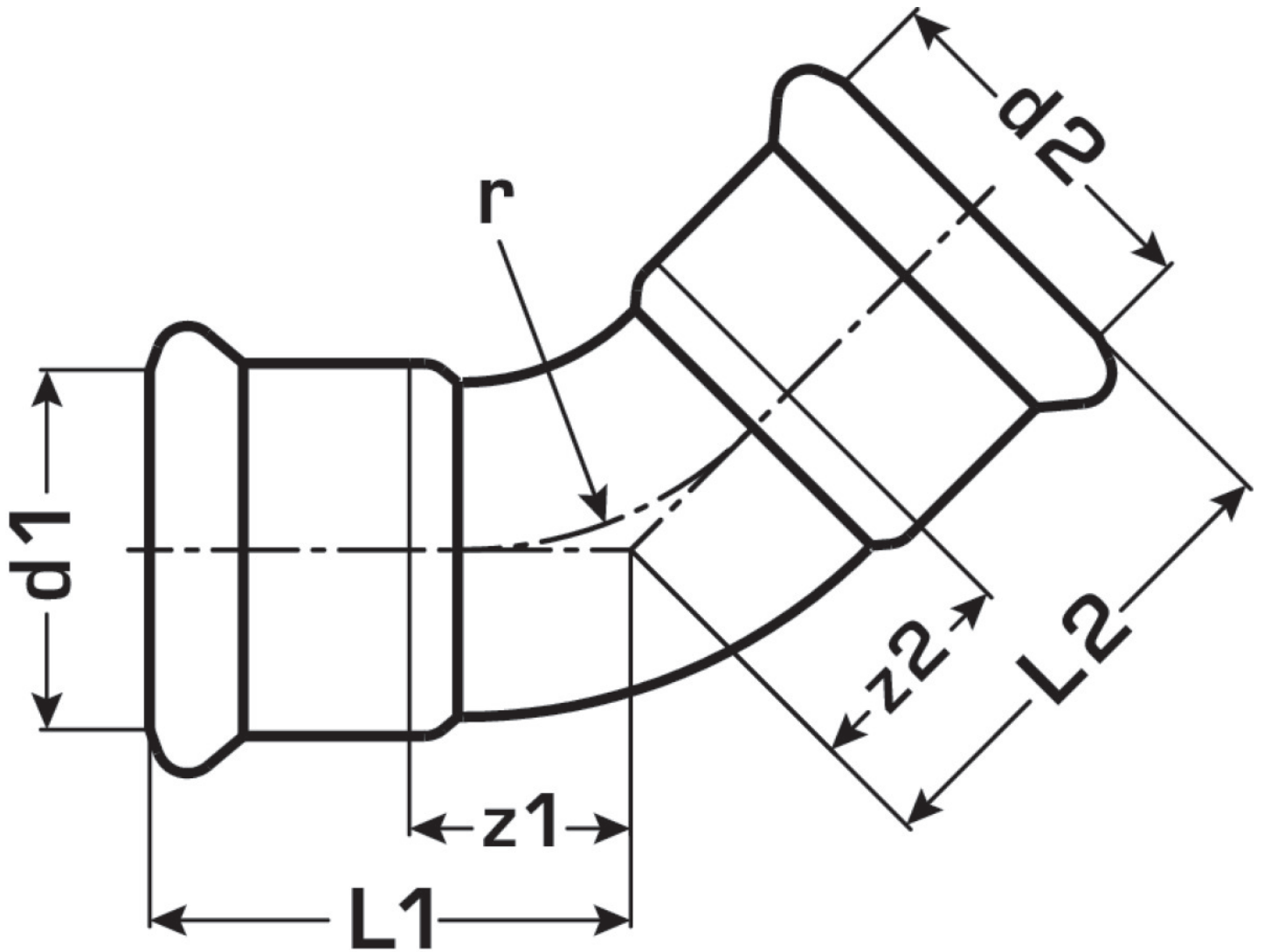
port 1	Pressmuffe
port 2	Pressmuffe
execution	1-teilig
design	Bogen
angle	45 °
press contour	M

## Technical properties

maximum working pressure at 20 ° C	16 bar
------------------------------------	--------

## Product information

VPE1	2 SA1
VPE2	4 KT1
weight	0,607 KGM
text	C-Steel press-elbow 45°
INTRNR	73079980
main material group	STEELFIX
material group	C-STAHL pressfittings
code	CP425



Art. No	label	d1 mm	d2 mm	L1	L2	z1 mm	z2 mm
54620110	66,7	66.7	66.7	98	98	48	48