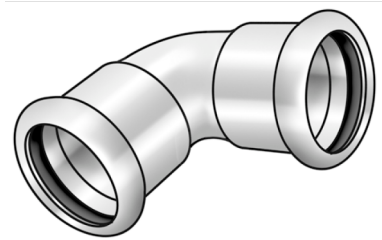


STEEL FIX C-STAHL

CP425 C-Steel press-elbow 45° 108

54620LL0

Areas of application



Press-elbow 45°, made of carbon steel coated with a zinc layer, incl. EPDM sealing elements, d15-54 "not pressed, not sealed"

Press contour: M

Specifications

Article information

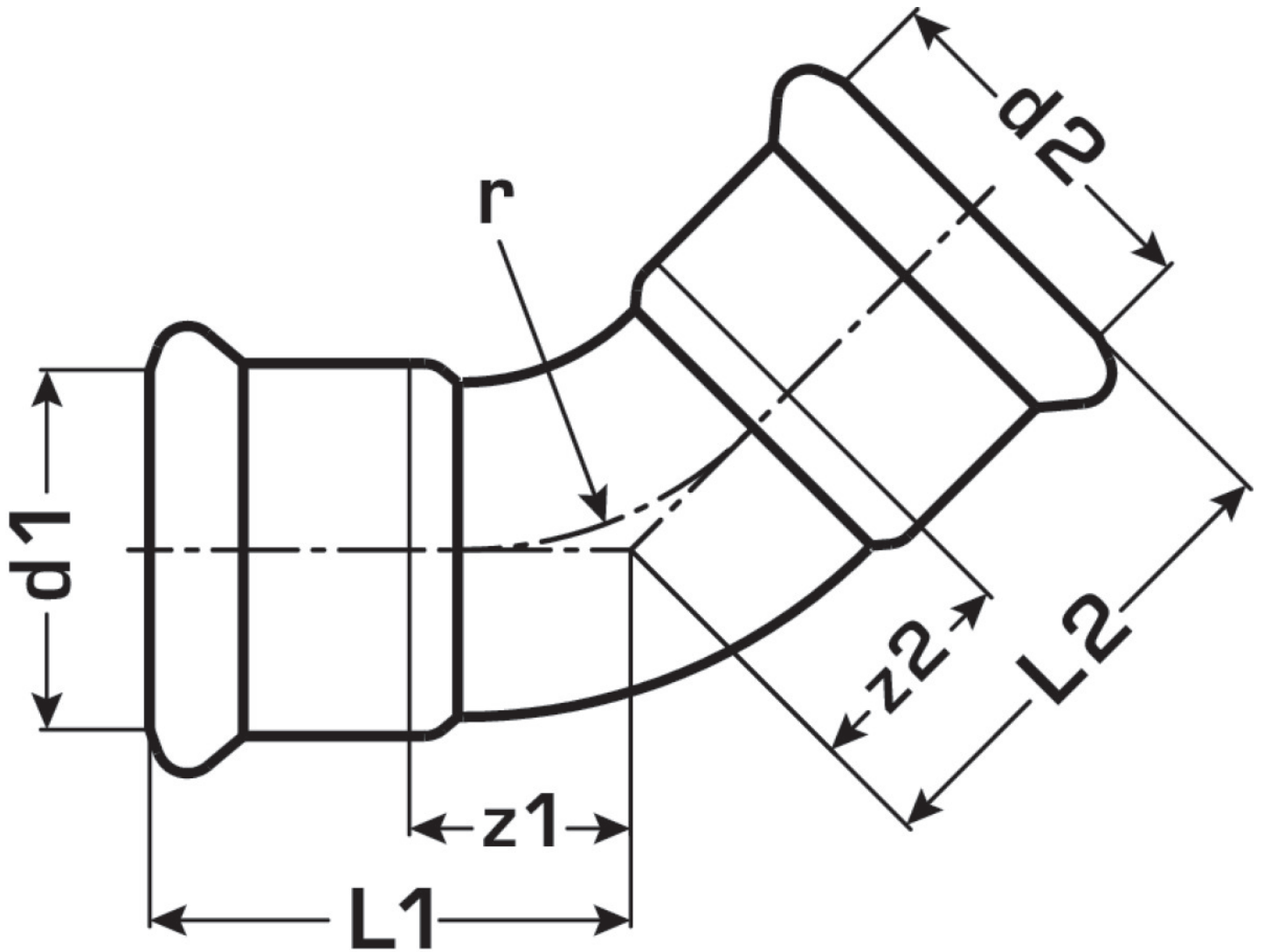
port 1	Pressmuffe
port 2	Pressmuffe
execution	1-teilig
design	Bogen
angle	45 °
press contour	M

Technical properties

maximum working pressure at 20 ° C	16 bar
------------------------------------	--------

Product information

VPE1	1 SA1
weight	1,523 KGM
text	C-Steel press-elbow 45°
INTRNR	73079980
main material group	STEELFIX
material group	C-STAHL pressfittings
code	CP425



Art. No	label	d1 mm	d2 mm	L1 mm	L2 mm	z1 mm	z2 mm
54620LL0	108	108	108	139	139	62	62