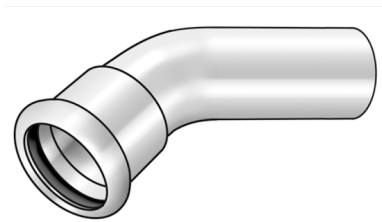


STEEL FIX C-STAHl

CP426 C-Steel press-elbow 45° male/female 28

54621EE0

Areas of application



Press-elbow 45°, f/m, made of carbon steel coated with a zinc layer, incl. EPDM sealing elements, d15-54 "not pressed, not sealed"

Press contour: M

Specifications

Article information

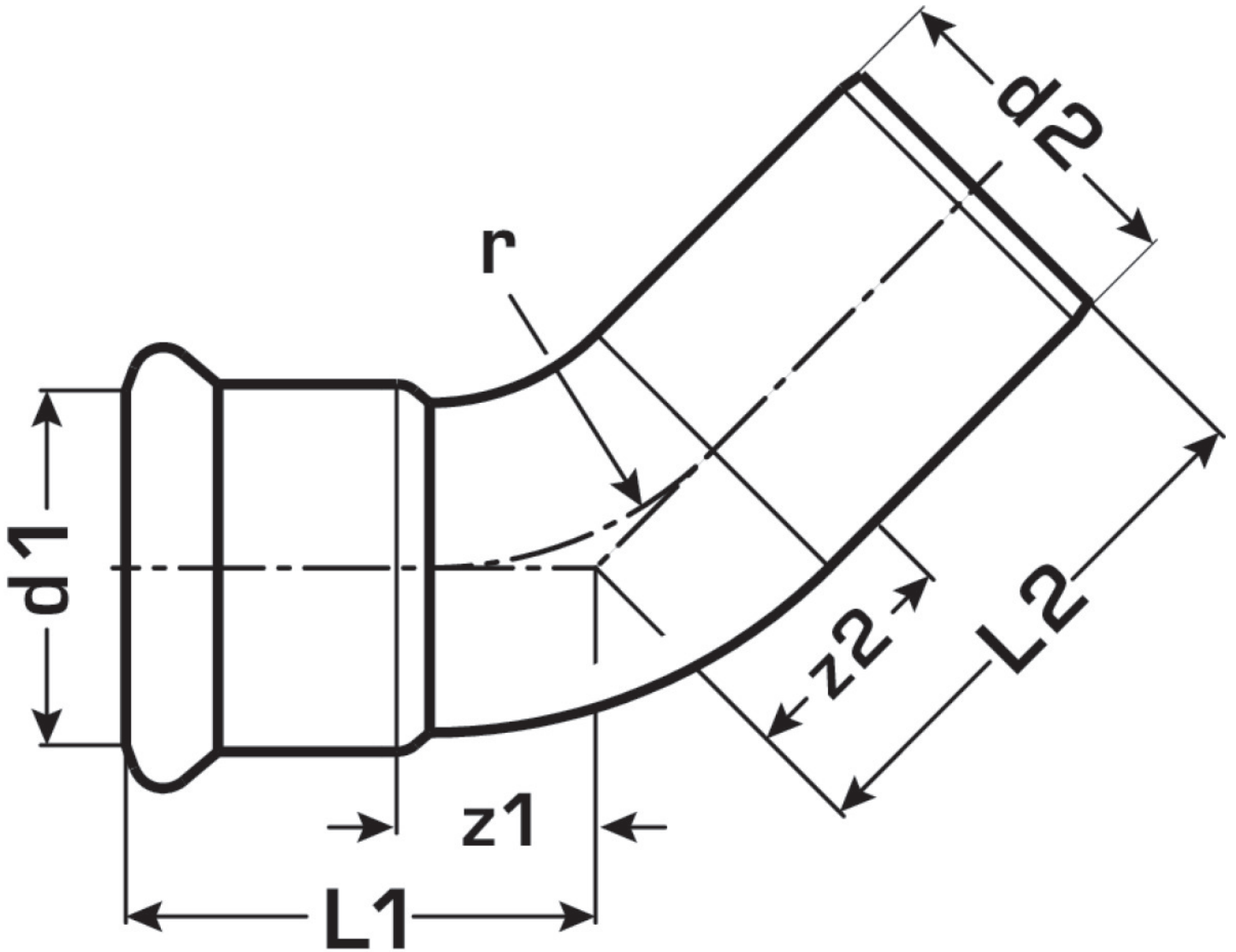
port 1	Pressmuffe
port 2	Zapfen/Rohrende
execution	1-teilig
design	Bogen
angle	45 °
press contour	M

Technical properties

maximum working pressure at 20 ° C	16 bar
------------------------------------	--------

Product information

VPE1	10 SA1
VPE2	40 KT1
VPE3	1000 DDP
weight	0,171 KGM
text	C-Steel press-elbow 45° male/female
INTRNR	73079980
main material group	STEELFIX
material group	C-STAHL pressfittings
code	CP426



Art. No	label	d1 mm	d2 mm	L1 mm	L2 mm	z1 mm
54621EE0	28	28	28	40	46	17