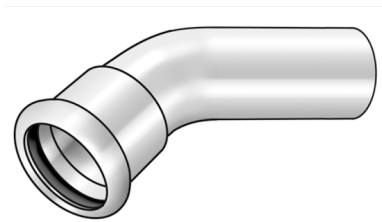


STEEL FIX C-STAHL

CP426 C-Steel press-elbow 45° male/female 66,7

54621110

Areas of application



Press-elbow 45°, f/m, made of carbon steel coated with a zinc layer, incl. EPDM sealing elements, d15-54 "not pressed, not sealed"

Press contour: M

Specifications

Article information

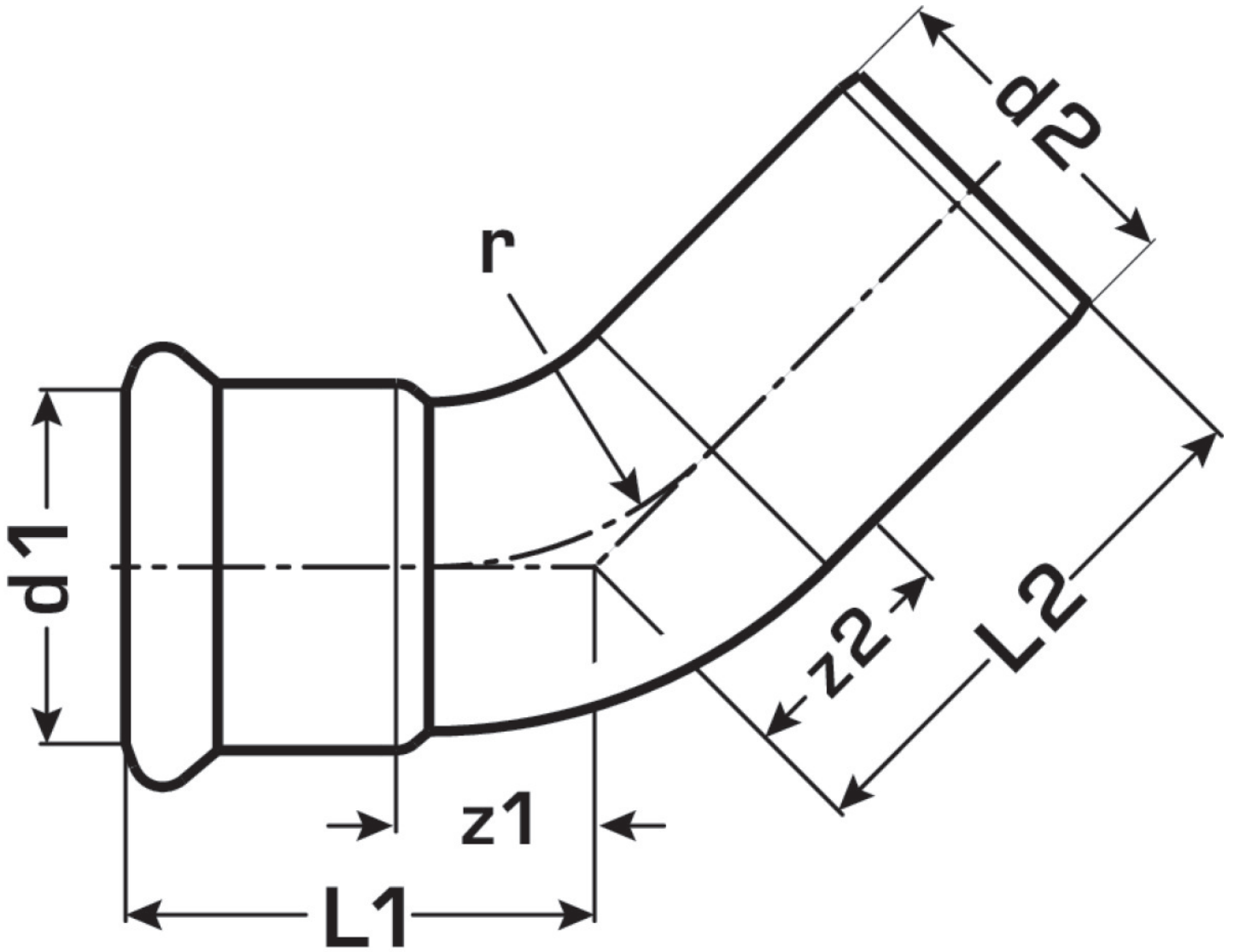
port 1	Pressmuffe
port 2	Zapfen/Rohrende
execution	1-teilig
design	Bogen
angle	45 °
press contour	M

Technical properties

maximum working pressure at 20 ° C	16 bar
------------------------------------	--------

Product information

VPE1	2 SA1
VPE2	4 KT1
weight	0,614 KGM
text	C-Steel press-elbow 45° male/female
INTRNR	73079980
main material group	STEELFIX
material group	C-STAHL pressfittings
code	CP426



Art. No	label	d1 mm	d2 mm	L1 mm	L2	z1 mm
54621110	66,7	66.7	66.7	98	110	48