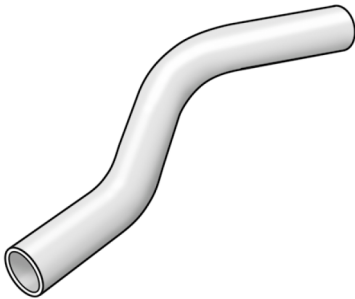


# STEEL FIX C-STAHl

CP427 STEELFIX carbon steel press-fit curved pipe male/male 28

54623EE0

## Areas of application



Curved pipe for parallel lines m/m made of C-steel coated with a zinc layer

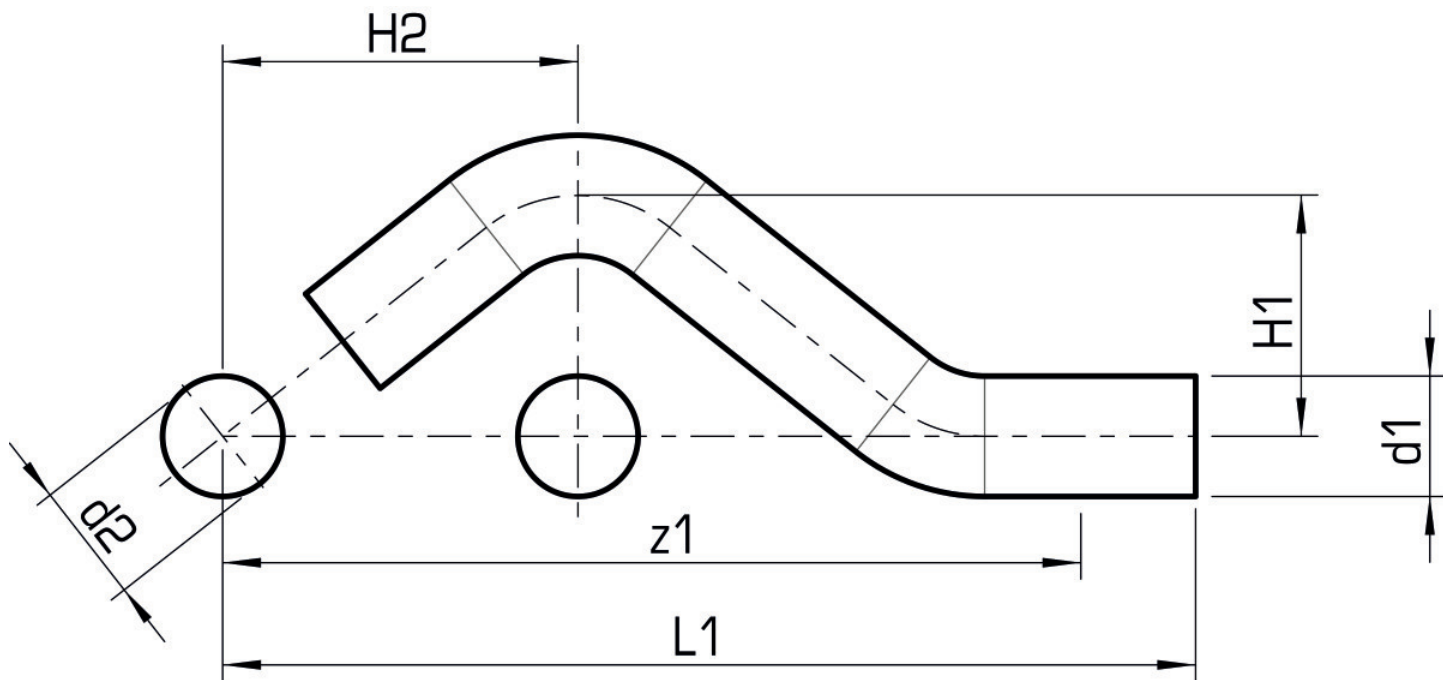
# Specifications

## Article information

port 1	Zapfen/Rohrende
port 2	Zapfen/Rohrende
execution	1-teilig
design	Versprung
press contour	M

## Product information

VPE1	5,00 SA1
VPE2	20,00 KT1
VPE3	500,00 DDP
weight	0,273 KGM
text	STEELFIX carbon steel press-fit curved pipe male/male
INTRNR	73079980
main material group	STEELFIX
material group	C-STAHL pressfittings
code	CP427



Art. No	label	d1 mm	d2 mm	d1 mm	d2 mm	L1 mm	z1 mm	z1 mm
54623EE0	28	28	28	28	28	210	187	187