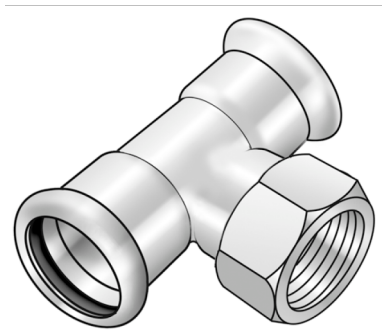


STEEL FIX C-STAHl

CP447 C-steel press-tee with branch female
54x3/4"

54740H04

Areas of application



Press-tee with threaded branch female made of C-steel coated with a zinc layer, incl. EPDM sealing components,

d15-54 "leak before pressed"

Press contour: M

Specifications

Article information

port 1	Pressmuffe
port 2	Innengewinde konisch (NPT)
port 3	Pressmuffe
execution	T-Stück
press contour	M

Technical properties

maximum working pressure at 20 ° C	16 bar
------------------------------------	--------

Product information

VPE1	2 SA1
VPE2	8 KT1
VPE3	200 DDP
weight	0,377 KGM
text	C-steel press-tee with branch female
INTRNR	73079980
main material group	STEELFIX
material group	C-STAHL pressfittings
code	CP447



Art. No	label	d2	d1 mm	d3 mm	L1 mm	L2 mm	L3 mm	z1 mm	z2 mm	z3 mm	slw1 mm
54740H0	54x3/4"	3/4 Zoll (20)	54	54	71	56	71	36	40	36	35