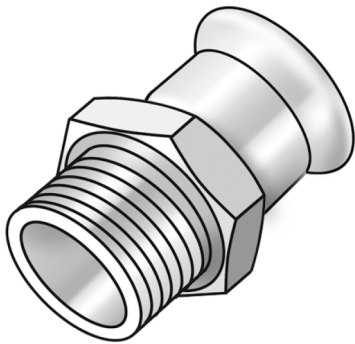


STEEL FIX C-STAHL

CP450 C-Steel press-adaptor male 76x2 1/2"

54702J12

Areas of application



Press-adaptor with male thread conforming to EN 10226-1 made of C-steel coated with a zinc layer, incl. EPDM sealing components, d15-54 "leak before pressed"

Press contour:M

Specifications

Article information

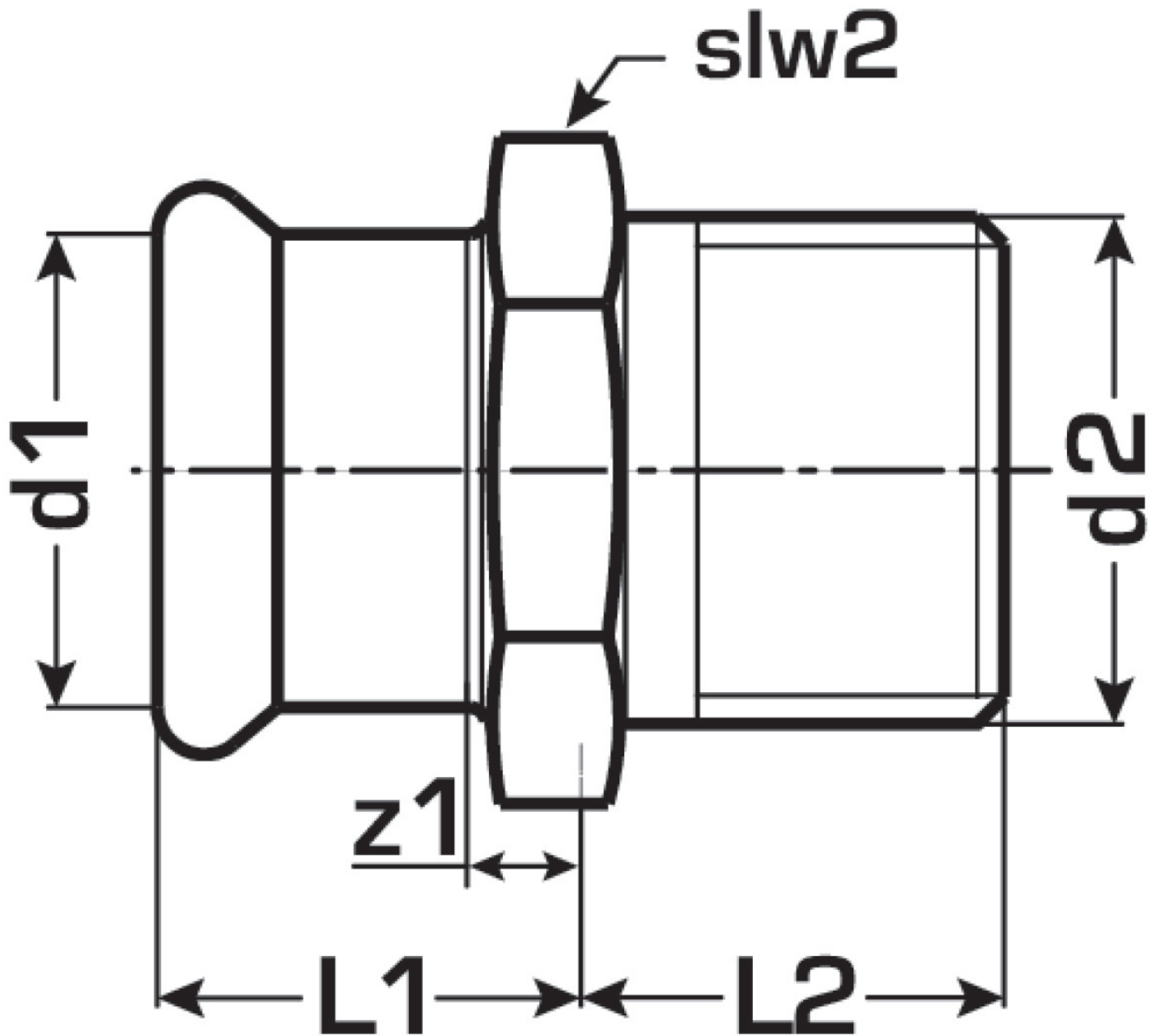
port 1	Pressmuffe
port 2	Außengewinde konisch (NPT)
execution	1-teilig
design	gerade
press contour	M

Technical properties

maximum working pressure at 20 ° C	16 bar
------------------------------------	--------

Product information

VPE1	2 SA1
weight	0,83 KGM
text	C-Steel press-adaptor male
INTRNR	73079980
main material group	STEELFIX
material group	C-STAHL pressfittings
code	CP450



Art. No	label	d2	d1 mm	L1 mm	L2 mm	z1 mm	slw2 mm
54702J12	76x2 1/2"	2 1/2 Zoll (65)	76.1	64	33	9	92