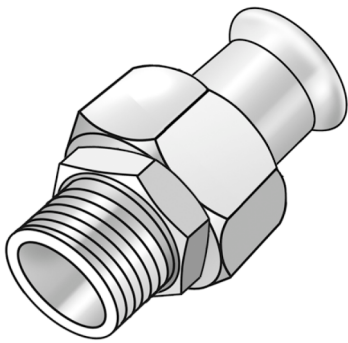


STEEL FIX C-STAHl

CP451 STEELFIX carbon steel press-fit union
with male thread 15x1/2"

54741B02

Areas of application



Press-fit union with male thread conforming to EN 10226-1 made of carbon steel coated with a zinc layer, incl. EPDM sealing elements, d15-54 "leak before pressed"

Press contour: M

Specifications

Article information

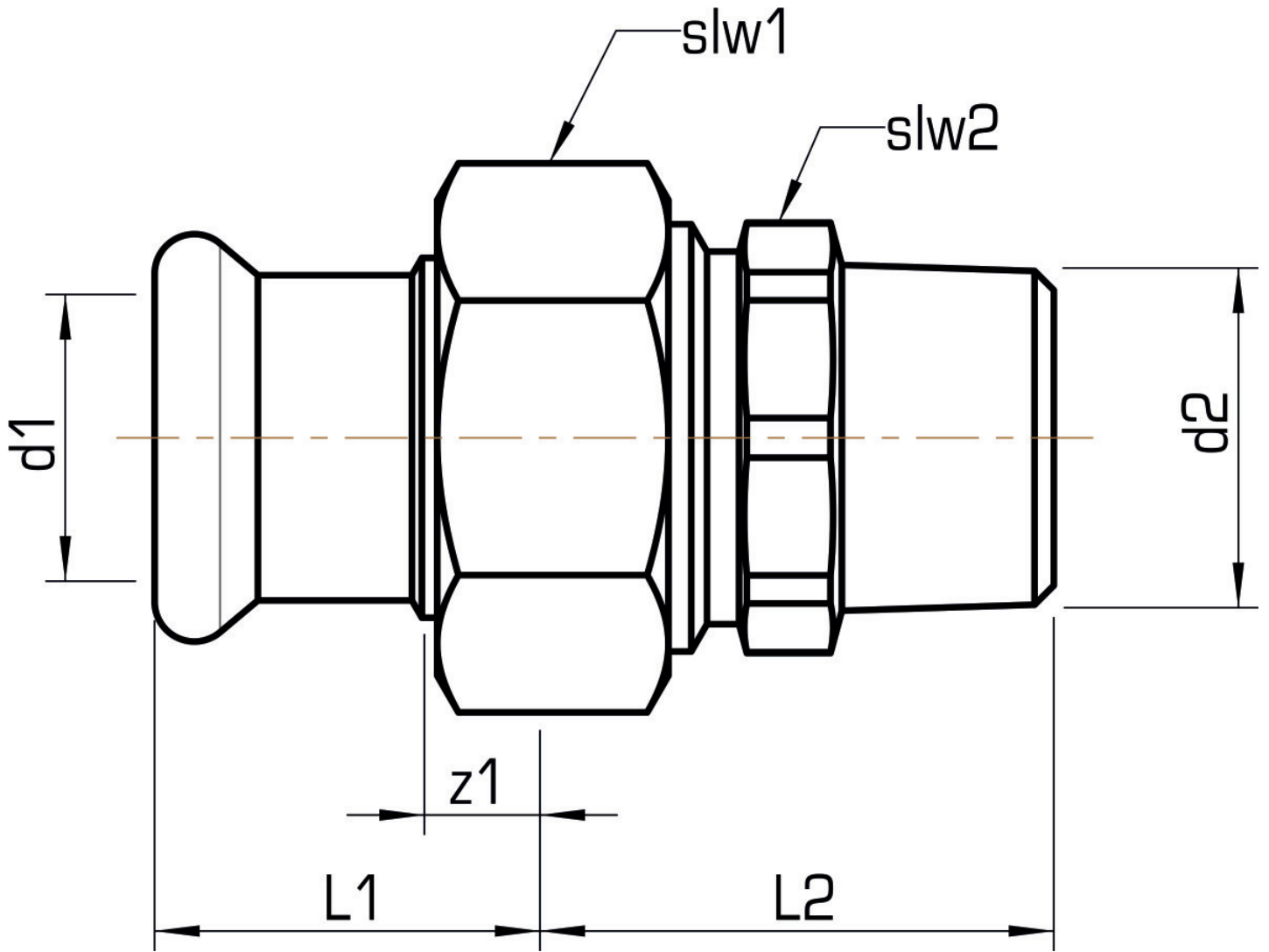
port 1	Pressmuffe
port 2	Außengewinde konisch (NPT)
execution	1-part
design	gerade
press contour	M

Technical properties

maximum working pressure at 20 ° C	16 bar
------------------------------------	--------

Product information

VPE1	2,00 SA1
VPE2	50,00 KT1
VPE3	1250,00 DDP
weight	0,129 KGM
text	STEELFIX carbon steel press-fit union with male thread
INTRNR	73079980
main material group	STEELFIX
material group	C-STAHL pressfittings
code	CP451



Art. No	label	d2 Inches	d1 mm	L1 mm	L2 mm	z1 mm	slw1 mm	slw2 mm
54741B02	15x1/2"	1/2" (15)	15	30	34	10	30	25