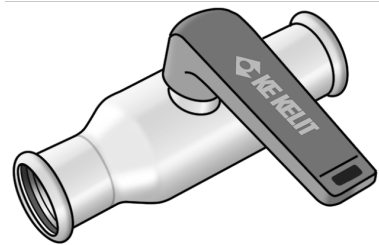


# STEEL FIX C-STAHL

CP453 STEELFIX carbon steel press-fit ball valve  
28

54728EE0

## Areas of application



Press-fit ball valve with full passage, ball and base body with full flow, made of carbon steel coated with a zinc layer, incl. EPDM sealing elements, "leak before pressed"

Press contour: M

Operating temperature: - 35°C - tmax 135°C



KE KELIT GmbH

A 4020 Linz, Ignaz-Mayer-Straße 17, Austria, Europe

PHONE +43 (0) 50 779 E-MAIL [office@kekelit.com](mailto:office@kekelit.com)

[www.kekelit.com](http://www.kekelit.com)

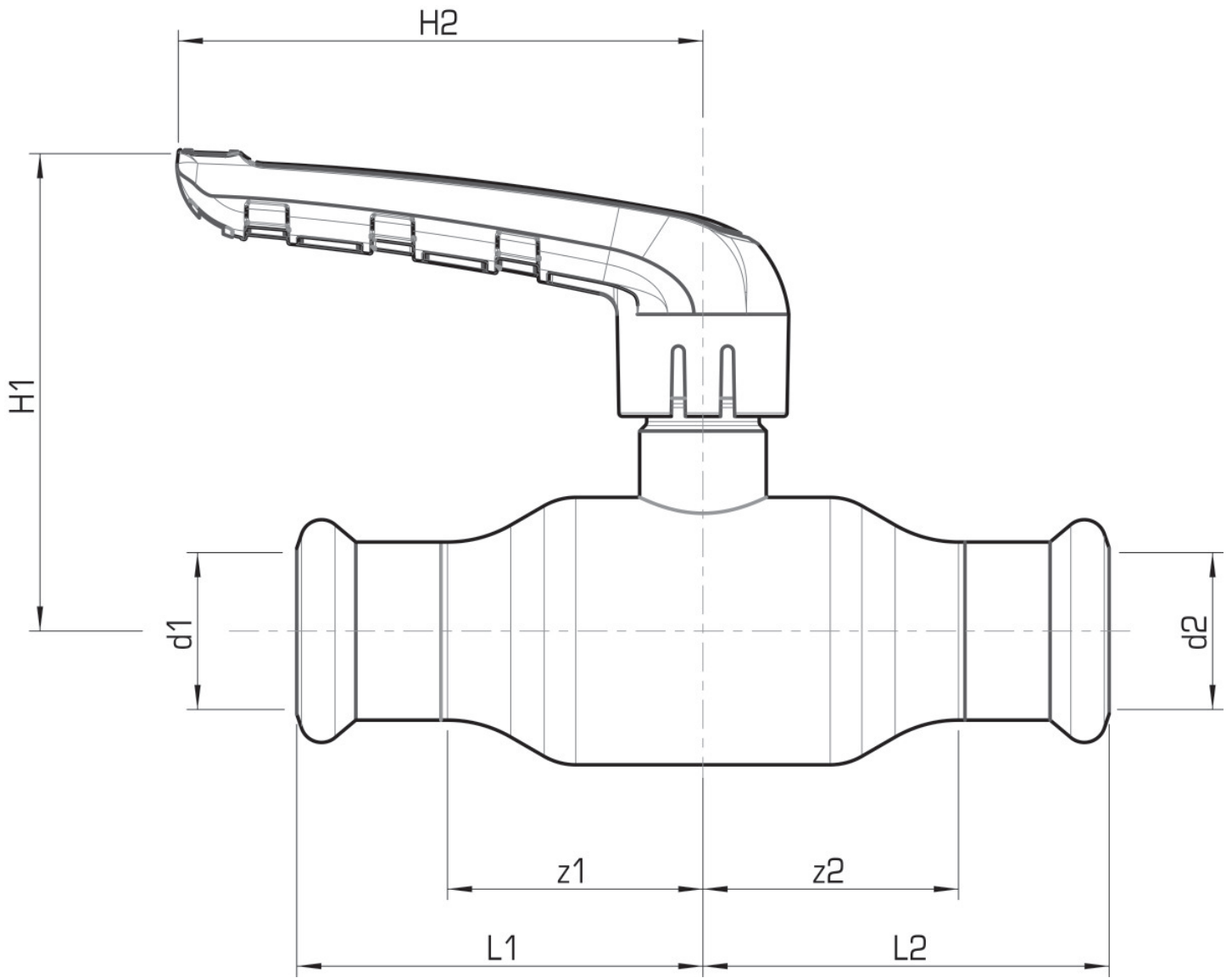
# Specifications

## Article information

<b>port 1</b>	Pressmuffe
<b>port 2</b>	Pressmuffe
<b>execution</b>	gerade

## Product information

<b>VPE1</b>	1,00 SA1
<b>VPE2</b>	10,00 KT1
<b>weight</b>	0,560 KGM
<b>text</b>	STEELFIX carbon steel press-fit ball valve
<b>INTRNR</b>	84818081
<b>main material group</b>	STEELFIX
<b>material group</b>	C-STAHL pressfittings
<b>code</b>	CP453



Art. No	label	d1 mm	d2 mm	L1 mm	L2 mm	z1 mm	z2 mm
54728EE0	28	28	28	68	68	45	45