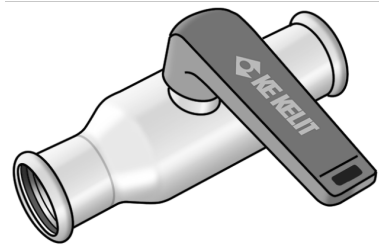


STEEL FIX C-STAHL

CP453 STEELFIX carbon steel press-fit ball valve
42

54728GG0

Areas of application



Press-fit ball valve with full passage, ball and base body with full flow, made of carbon steel coated with a zinc layer, incl. EPDM sealing elements, "leak before pressed"

Press contour: M

Operating temperature: - 35°C - tmax 135°C

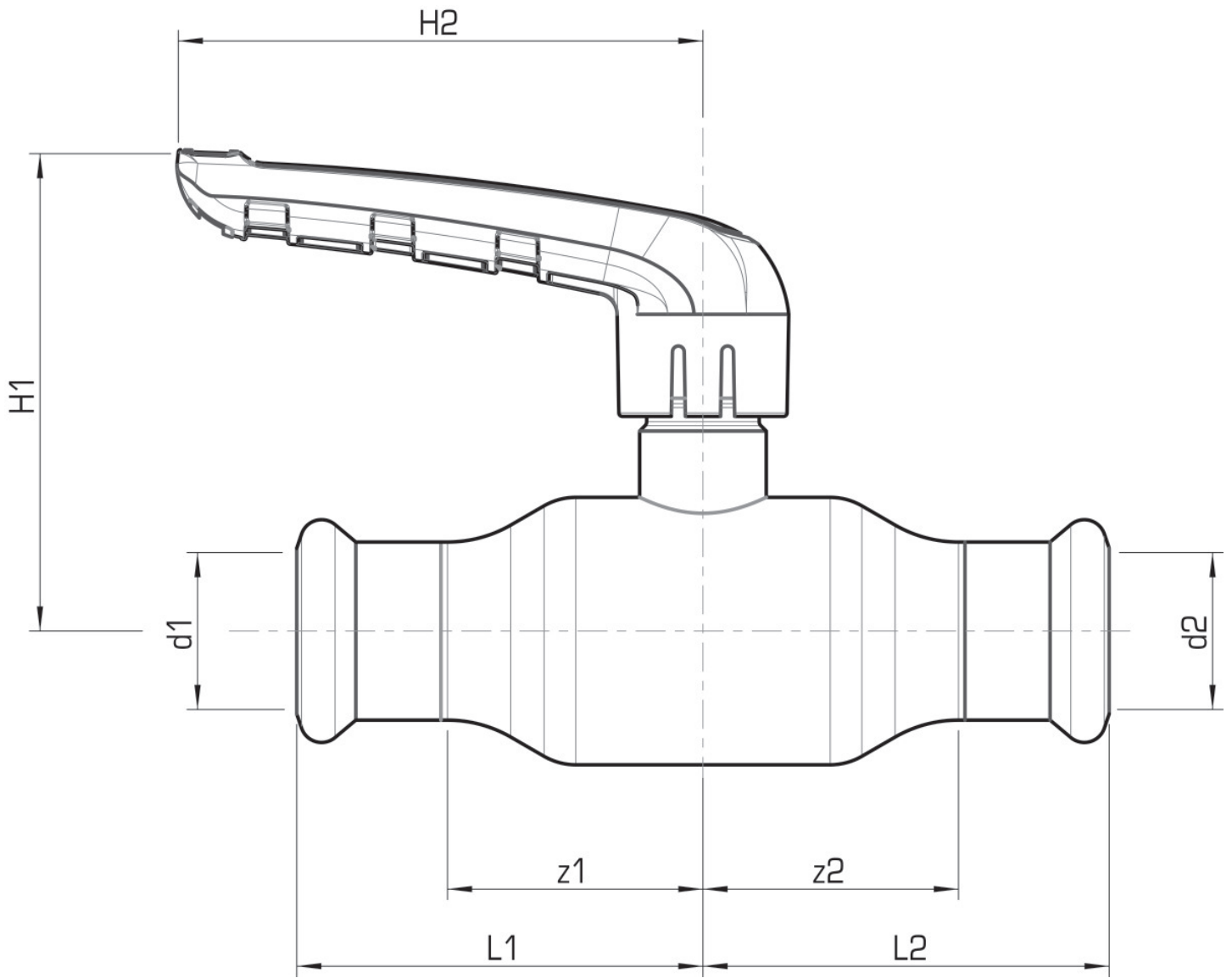
Specifications

Article information

| | |
|-----------|------------|
| port 1 | Pressmuffe |
| port 2 | Pressmuffe |
| execution | gerade |

Product information

| | |
|---------------------|--|
| VPE1 | 1,00 SA1 |
| VPE2 | 7,00 KT1 |
| weight | 1,400 KGM |
| text | STEELFIX carbon steel press-fit ball valve |
| INTRNR | 84818081 |
| main material group | STEELFIX |
| material group | C-STAHL pressfittings |
| code | CP453 |



| Art. No | label | d1 mm | d2 mm | L1 mm | L2 mm | z1 mm | z2 mm |
|----------|-------|-------|-------|-------|-------|-------|-------|
| 54728GG0 | 42 | 42 | 42 | 99 | 99 | 69 | 69 |