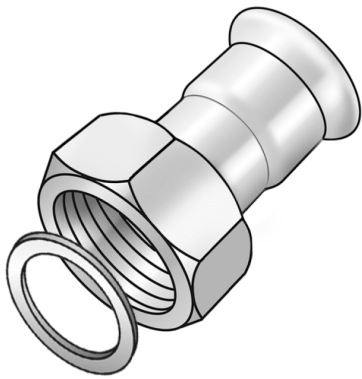


STEEL FIX C-STAHL

CP455 STEELFIX carbon steel press-fit screw fitting with female thread 35x6/4"

54703F07

Areas of application



Press-adapter female screw union to connect to fittings, made of carbon steel coated with a zinc layer, incl. EPDM sealing components, d15-54 "leak before pressed"

Press contour: M

Specifications

Article information

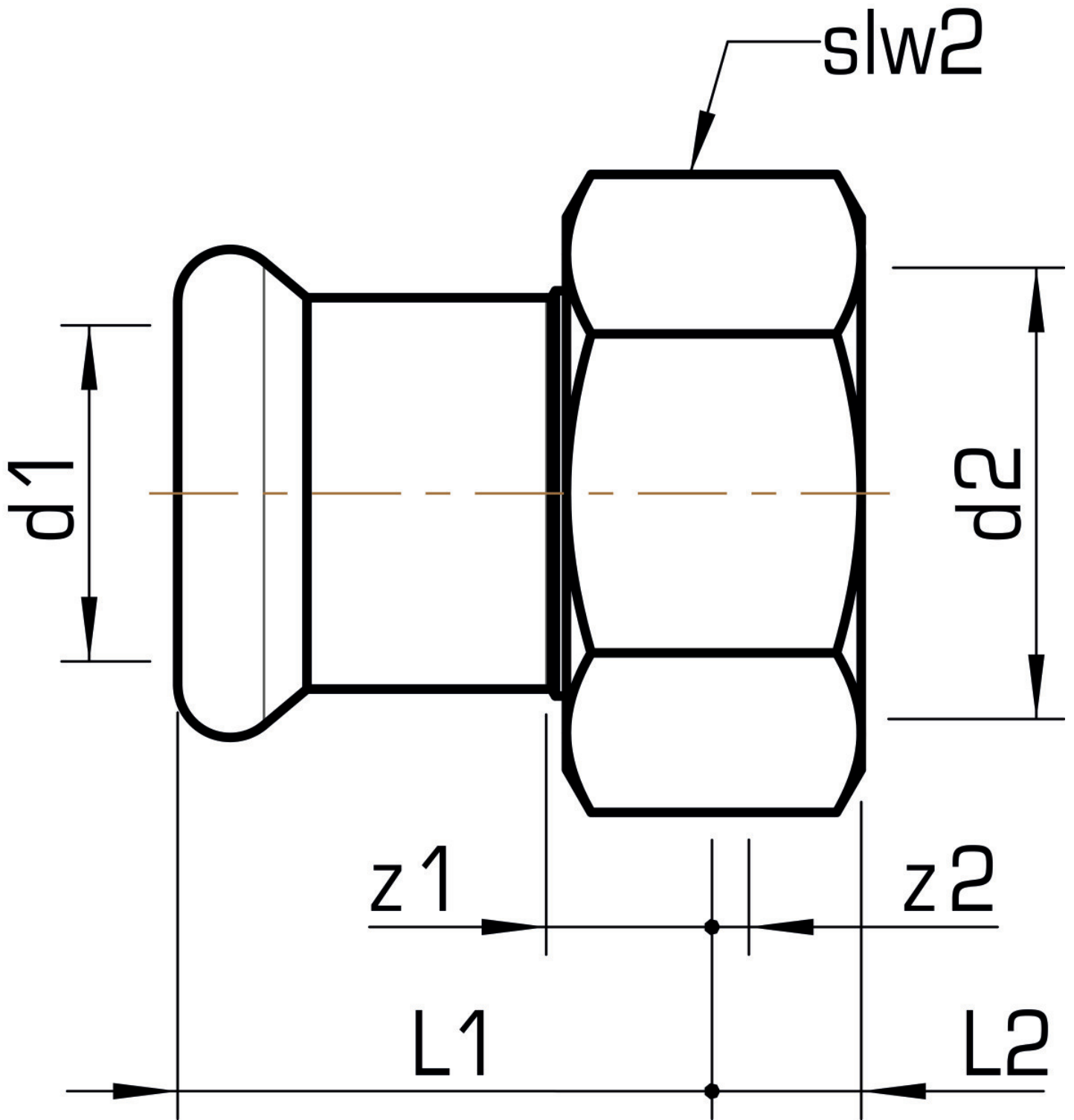
| | |
|---------------|---|
| port 1 | Pressmuffe |
| port 2 | Innengewinde zylindrisch BSPT-Rp (ISO 7-1 / EN 10226-1) |
| execution | 1-part |
| design | gerade |
| press contour | M |

Technical properties

| | |
|------------------------------------|--------|
| maximum working pressure at 20 ° C | 16 bar |
|------------------------------------|--------|

Product information

| | |
|---------------------|--|
| VPE1 | 4,00 SA1 |
| VPE2 | 32,00 KT1 |
| weight | 0,208 KGM |
| text | STEELFIX carbon steel press-fit screw fitting with female thread |
| INTRNR | 73079980 |
| main material group | STEELFIX |
| material group | C-STAHL pressfittings |
| code | CP455 |



| Art. No | label | d2 Inches | d1 mm | L1 mm | L2 mm | z1 mm | z2 mm | slw2 mm |
|----------|---------|--------------|-------|-------|-------|-------|-------|---------|
| 54703F07 | 35x6/4" | 1 1/2" | 35 | 34 | 11 | 8 | 2 | 52 |



KE KELIT GmbH

A 4020 Linz, Ignaz-Mayer-Straße 17, Austria, Europe

PHONE +43 (0) 50 779 **E-MAIL** office@kekelit.com

www.kekelit.com