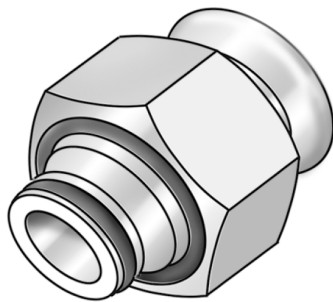


STEEL FIX C-STAHl

CP456 C-steel euro-screw fitting 18x3/4"

54744C04

Areas of application



Press-fit Euro thread fitting to connect installation components with 3/4" EURO CONE (male) conforming to DIN215 made of C-steel coated with a zinc layer, incl. EPDM sealing components, "leak before pressed"

Press contour: M

Specifications

Article information

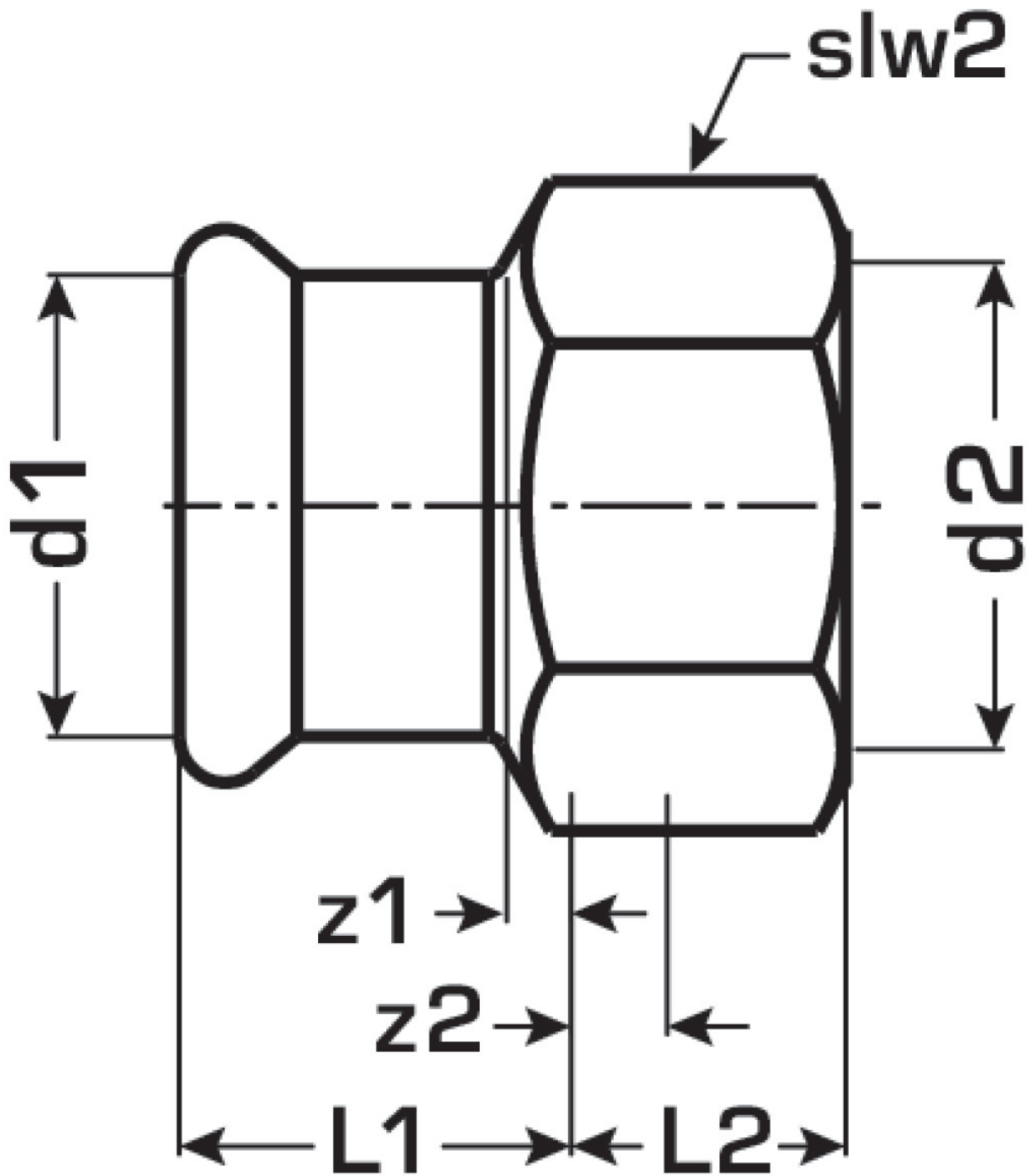
port 1	Pressmuffe
port 2	Eurokonus
execution	1-teilig
design	gerade
press contour	M

Technical properties

maximum working pressure at 20 ° C	16 bar
------------------------------------	--------

Product information

VPE1	10 SA1
VPE2	100 KT1
VPE3	2500 DDP
weight	0,12 KGM
text	C-steel euro-screw fitting
INTRNR	73079980
main material group	STEELFIX
material group	C-STAHL pressfittings
code	CP456



Art. No	label	d2	d1 mm	L1 mm	L2 mm	z1 mm	z2 mm	slw2 mm
54744C04	18x3/4"	3/4 Zoll (20)	18	22	16	2	7	30