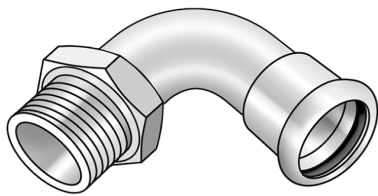


STEEL FIX C-STAHL

CP460 C-Steel press-elbow adaptor 90° male
54x2"

54712H09

Areas of application



Press-elbow adaptor 90° with male thread conforming to EN 10226-1 made of carbon steel coated with a zinc layer, incl. EPDM sealing components, d15-54 "leak before pressed"

Press contour: M

Specifications

Article information

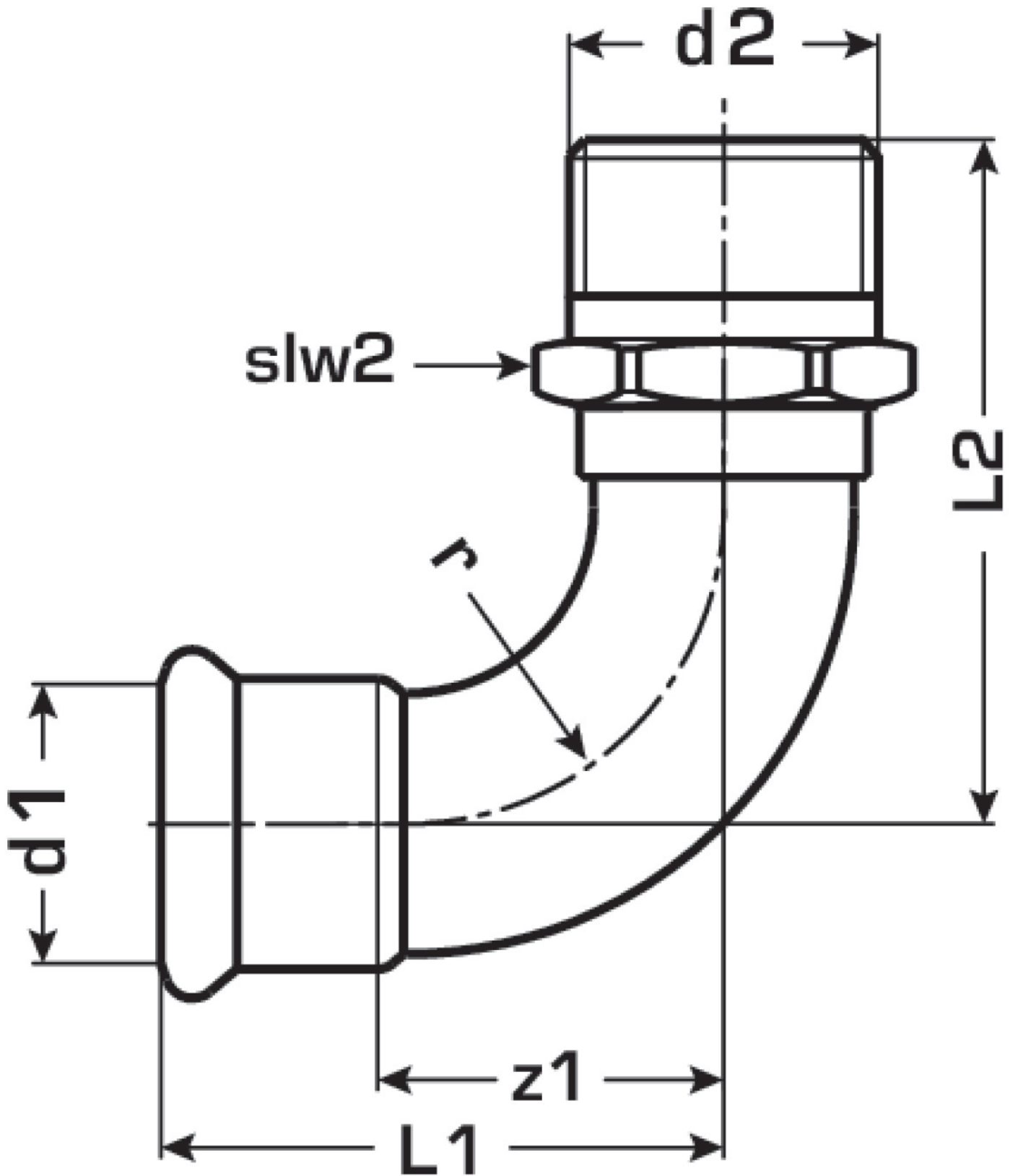
port 1	Pressmuffe
port 2	Außengewinde konisch (NPT)
execution	1-teilig
design	Bogen
angle	90 °
press contour	M

Technical properties

maximum working pressure at 20 ° C	16 bar
------------------------------------	--------

Product information

VPE1	2 SA1
VPE2	8 KT1
VPE3	200 DDP
weight	0,724 KGM
text	C-Steel press-elbow adaptor 90° male
INTRNR	73079980
main material group	STEELFIX
material group	C-STAHL pressfittings
code	CP460



Art. No	label	d2	d1 mm	L1 mm	L2 mm	z1 mm	z2 mm	slw2 mm
54712H09	54x2"	2 Zoll (50)	54	105	116	70	116	69



KE KELIT GmbH

A 4020 Linz, Ignaz-Mayer-Straße 17, Austria, Europe

PHONE +43 (0) 50 779 **E-MAIL** office@kekelit.com

www.kekelit.com