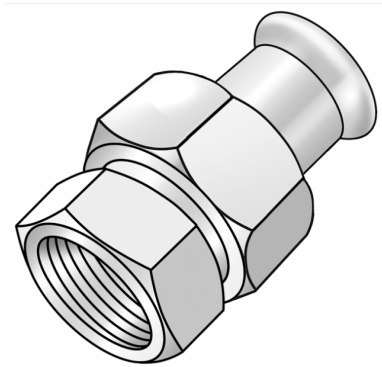


STEEL FIX C-STAHL

CP466 C-steel press-union female 54x2"

54742H09

Areas of application



Press-fit union with female thread conforming to EN 10226-1 made of carbon steel coated with a zinc layer, incl. EPDM sealing components, d15-54 "leak before pressed"

Press contour: M

Specifications

Article information

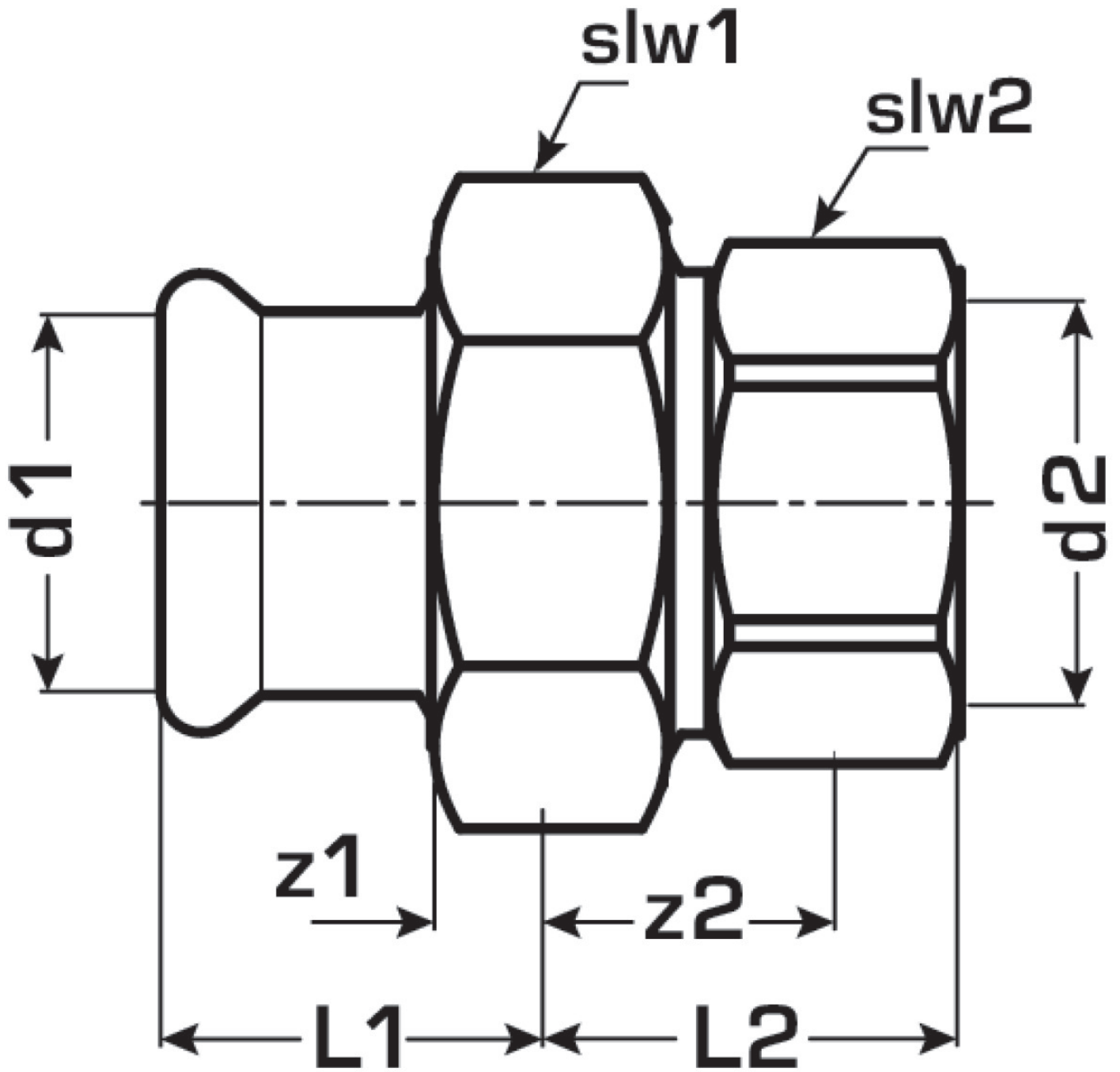
| | |
|---------------|---|
| port 1 | Pressmuffe |
| port 2 | Innengewinde zylindrisch BSPT-Rp (ISO 7-1 / EN 10226-1) |
| execution | 1-teilig |
| design | gerade |
| press contour | M |

Technical properties

| | |
|------------------------------------|--------|
| maximum working pressure at 20 ° C | 16 bar |
|------------------------------------|--------|

Product information

| | |
|---------------------|----------------------------|
| VPE1 | 2 SA1 |
| VPE2 | 4 KT1 |
| weight | 0,99 KGM |
| text | C-steel press-union female |
| INTRNR | 73079980 |
| main material group | STEELFIX |
| material group | C-STAHL pressfittings |
| code | CP466 |



| Art. No | label | d2 | d1 mm | L1 mm | L2 mm | z1 mm | z2 mm | slw1 mm | slw2 mm |
|----------|-------|----------------|-------|-------|-------|-------|-------|---------|---------|
| 54742H09 | 54x2" | 2 Zoll (50) | 54 | 47 | 46 | 12 | 20 | 87 | 81 |