

STEEL FIX C-STAHL

CP486 STEELFIX carbon steel press-fit-adapter flange PN10/16 54-DN50 4-hole

54755H00

Areas of application



Press-adapter flange, flat-sealing made of carbon steel coated with a zinc layer, incl. EPDM sealing elements, depending on the size with flat or grooved sealing surface, d15-54 "leak before pressed"
Hole circle dimensioning conforming to DIN 2501-PN16

Press contour: M

Specifications

Article information

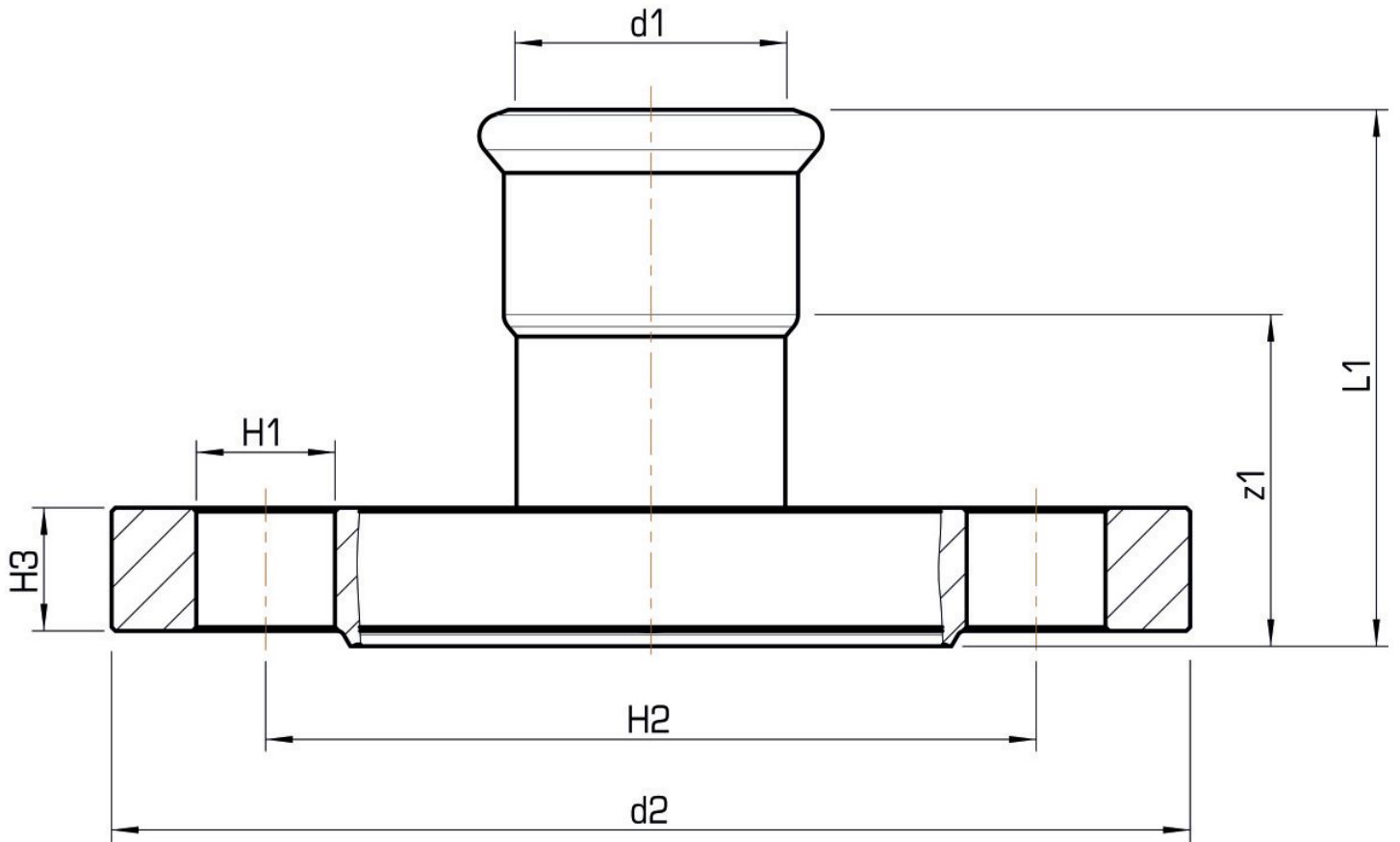
| | |
|---------------|------------|
| port 1 | Pressmuffe |
| port 2 | Flansch |
| execution | 1-part |
| design | gerade |
| press contour | M |

Technical properties

| | |
|----|-------|
| PN | PN 16 |
|----|-------|

Product information

| | |
|---------------------|--|
| VPE1 | 1,00 KT1 |
| weight | 2,593 KGM |
| text | STEELFIX carbon steel press-fit-adapter flange PN10/16 |
| INTRNR | 73079980 |
| main material group | STEELFIX |
| material group | C-STAHL pressfittings |
| code | CP486 |



| Art. No | label | d2 | d1 mm | L1 mm | z1 mm | pitch circle diameter mm |
|----------|----------------|-------|-------|-------|-------|--------------------------|
| 54755H00 | 54-DN50 4-hole | DN 50 | 54 | 87 | 52 | 125 |