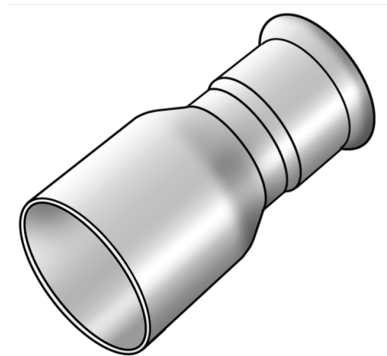


STEEL FIX EDELSTAHL

NP411 STEELFIX stainless steel press-fit
reduction nipple male/female 22/18

53601DC0

Areas of application



Press-fit reducing nipple f/m straight made of stainless steel 1.4404, incl. EPDM sealing components, d15-54 "leak before pressed"

Press contour: M

Approvals:



KE KELIT GmbH

A 4020 Linz, Ignaz-Mayer-Straße 17, Austria, Europe

PHONE +43 (0) 50 779 E-MAIL office@kekelit.com

www.kekelit.com

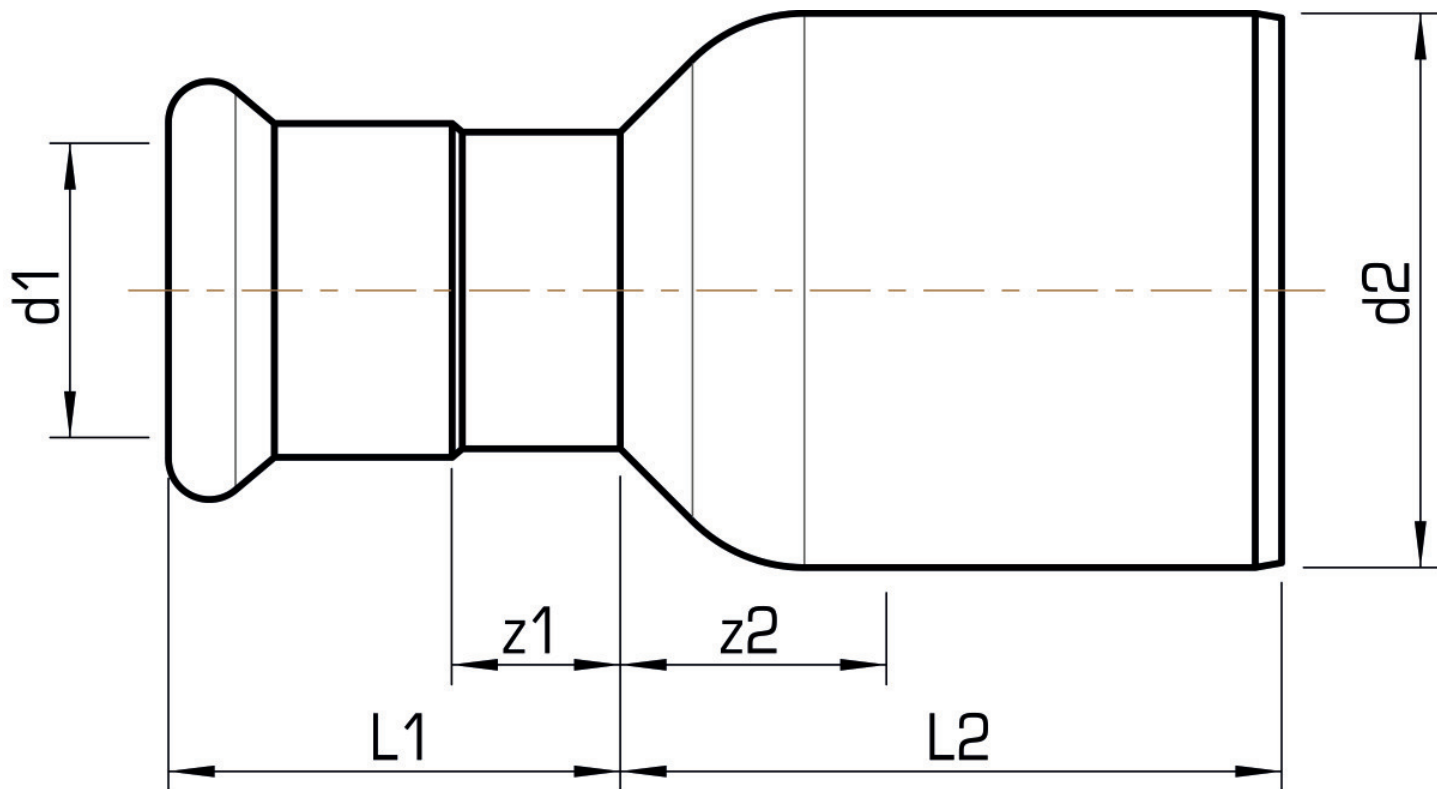
Specifications

Article information

port 1	Pressmuffe
port 2	Zapfen/Rohrende
execution	1-part
design	gerade
press contour	M

Product information

VPE1	10,00 SA1
VPE2	120,00 KT1
VPE3	3000,00 DDP
weight	0,046 KGM
text	STEELFIX stainless steel press-fit reduction nipple male/female
INTRNR	73072980
material group	EDELSTAHL pressfittings
code	NP411



Art. No	label	d1 mm	d2 mm	L1 mm	L2 mm	z1 mm	z2 mm
53601DC0	22/18	18	22	29	28,5	9	3