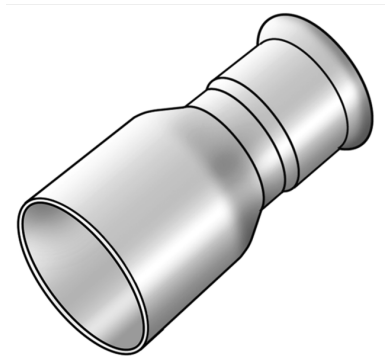


STEEL FIX EDELSTAHL

NP411 STEELFIX stainless steel press-fit
reduction nipple male/female 35/28

53601FE0

Areas of application



Press-fit reducing nipple f/m straight made of stainless steel 1.4404, incl. EPDM sealing components, d15-54 "leak before pressed"

Press contour: M

Approvals:



Specifications

Article information

port 1	Pressmuffe
port 2	Zapfen/Rohrende
execution	1-part
design	gerade
press contour	M

Product information

VPE1	5,00 SA1
VPE2	60,00 KT1
VPE3	1500,00 DDP
weight	0,084 KGM
text	STEELFIX stainless steel press-fit reduction nipple male/female
INTRNR	73072980
material group	EDELSTAHL pressfittings
code	NP411



Art. No	label	d1 mm	d2 mm	L1 mm	L2 mm	z1 mm	z2 mm
53601FE0	35/28	28	35	32	37	9	6