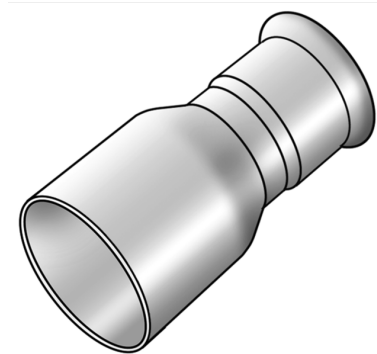


# STEEL FIX EDELSTAHL

NP411 STEELFIX stainless steel press-fit  
reduction nipple male/female 108/76

53601LJ0

## Areas of application



Press-fit reducing nipple f/m straight made of stainless steel 1.4404, incl. EPDM sealing components, d15-54 "leak before pressed"

Press contour: M

## Approvals:



KE KELIT GmbH

A 4020 Linz, Ignaz-Mayer-Straße 17, Austria, Europe

PHONE +43 (0) 50 779 E-MAIL [office@kekelit.com](mailto:office@kekelit.com)

[www.kekelit.com](http://www.kekelit.com)

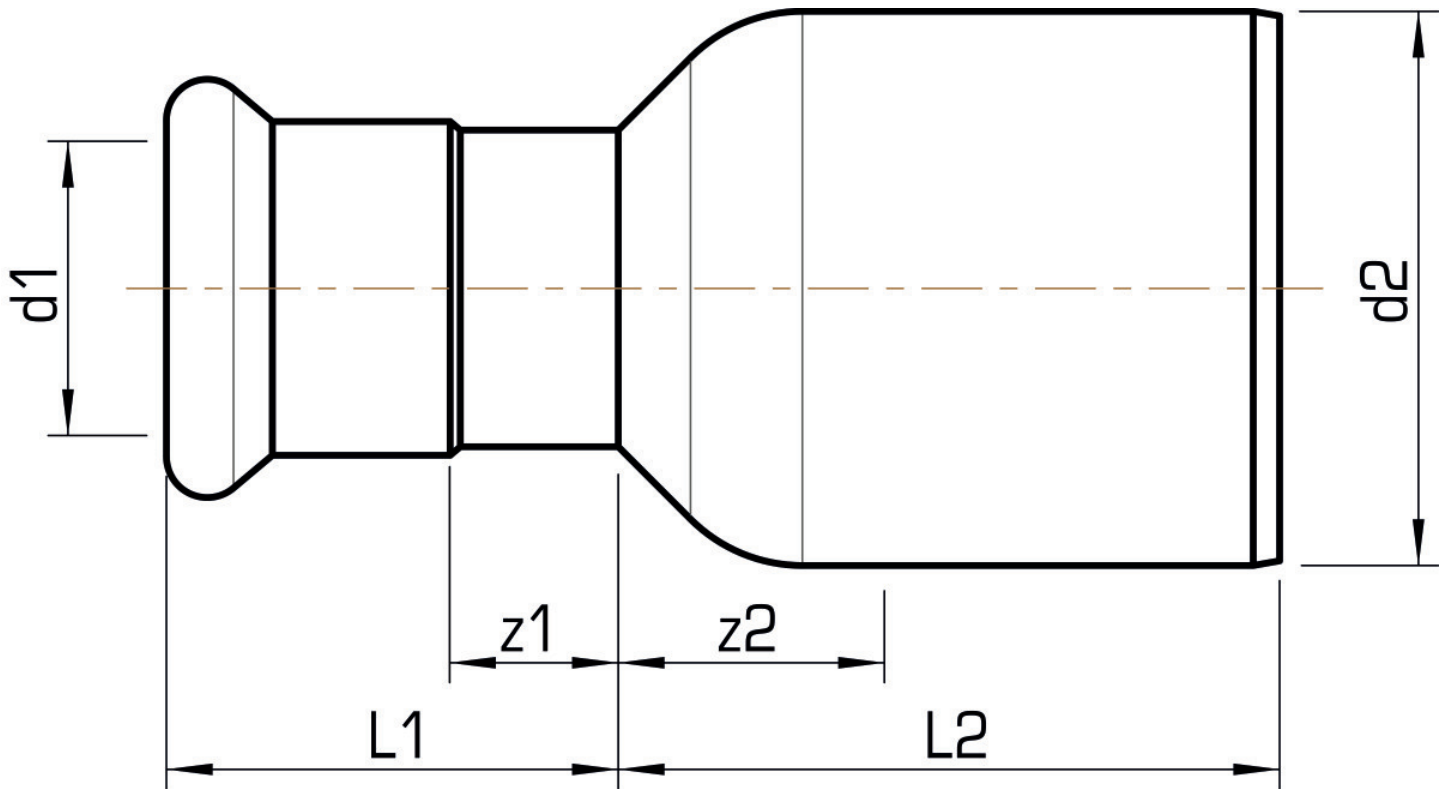
# Specifications

## Article information

port 1	Pressmuffe
port 2	Zapfen/Rohrende
execution	1-part
design	gerade
press contour	M

## Product information

VPE1	1,00 SA1
VPE2	12,00 KT1
weight	1,020 KGM
text	STEELFIX stainless steel press-fit reduction nipple male/female
INTRNR	73072980
material group	EDELSTAHL pressfittings
code	NP411



Art. No	label	d1 mm	d2 mm	L1 mm	L2 mm	z1 mm	z2 mm
53601LJ0	108/76	76	108	68,5	127,5	13,5	36,5