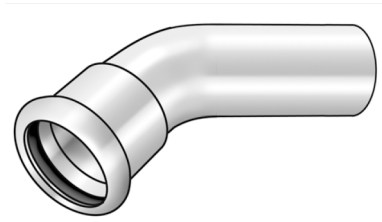


STEEL FIX EDELSTAHL

NP426 Stainless steel press-elbow 45°
male/female 15

53621BB0

Areas of application



Press-elbow 45°, f/m, made of stainless steel 1.4404, incl. EPDM sealing elements, d15-54 "not pressed, not sealed"

Press contour: M

Approvals:



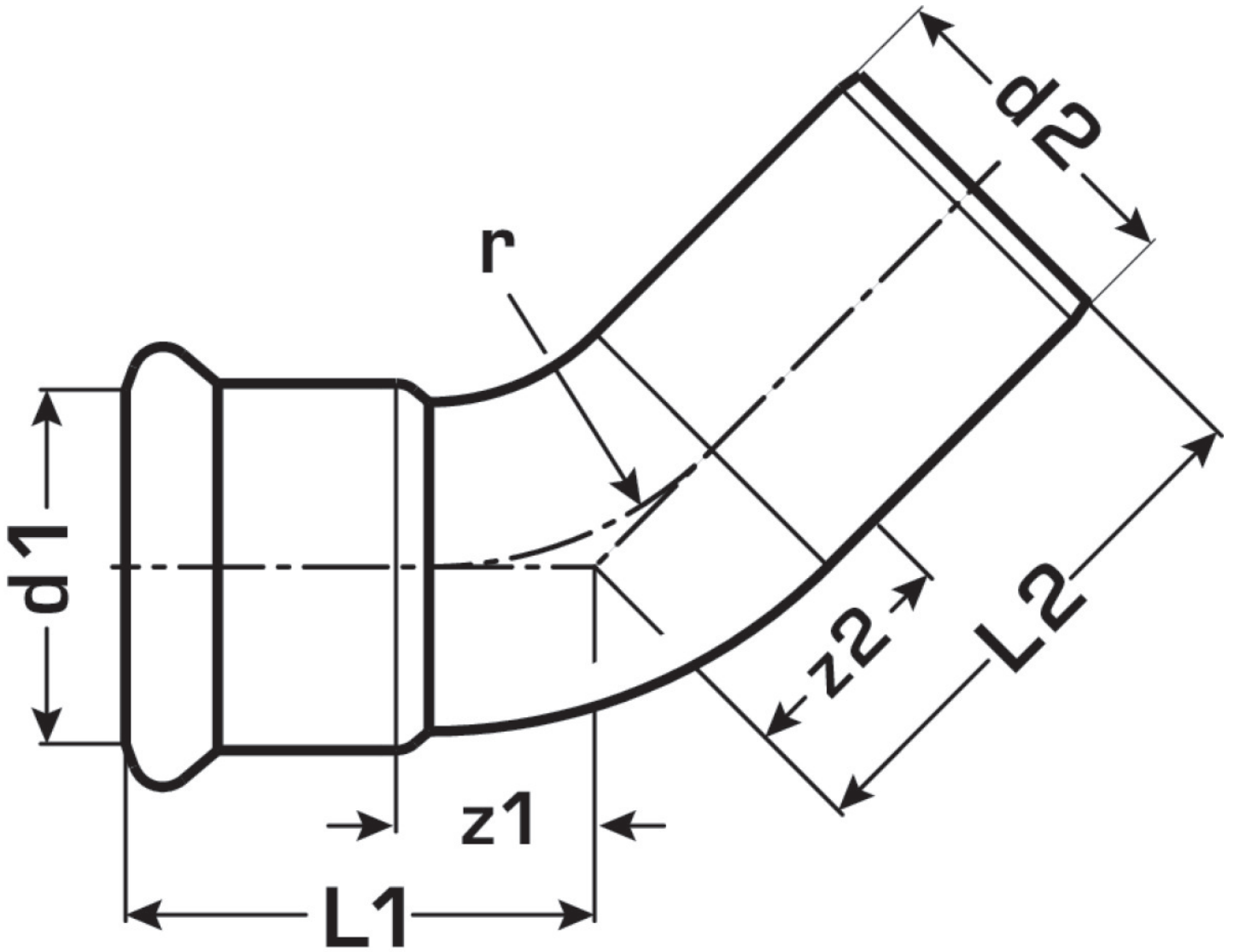
Specifications

Article information

port 1	Pressmuffe
port 2	Pressmuffe
execution	1-teilig
design	Bogen
angle	45 °
press contour	M

Product information

VPE1	10 SA1
VPE2	150 KT1
VPE3	3750 DDP
weight	0,042 KGM
text	Stainless steel press-elbow 45° male/female
INTRNR	73072980
main material group	STEELFIX
material group	EDELSTAHL pressfittings
code	NP426



Art. No	label	d1 mm	d2 mm	L1 mm	L2 mm	z1 mm	z2 mm
53621BB0	15	15	15	30	38	10	18