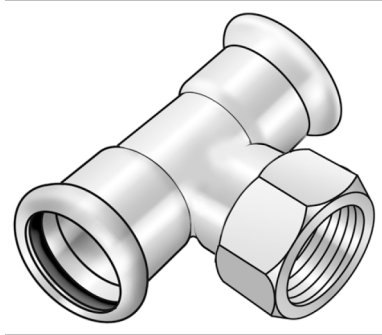


STEEL FIX EDELSTAHL

NP447 STEELFIX stainless steel press-fit-tee
with branch female 22x3/4"

53740D04

Areas of application



Press-tee with threaded branch female made of stainless steel 1.4404, incl. EPDM sealing elements,
d15-54 "leak before pressed"

Press contour: M

Approvals:



Specifications

Article information

| | |
|---------------|----------------------------|
| port 1 | Pressmuffe |
| port 2 | Innengewinde konisch (NPT) |
| port 3 | Pressmuffe |
| execution | T-Stück |
| press contour | M |

Technical properties

| | |
|------------------------------------|--------|
| maximum working pressure at 20 ° C | 16 bar |
|------------------------------------|--------|

Product information

| | |
|----------------|---|
| VPE1 | 10,00 SA1 |
| VPE2 | 40,00 KT1 |
| VPE3 | 1000,00 DDP |
| weight | 0,140 KGM |
| text | STEELFIX stainless steel press-fit-tee with branch female |
| INTRNR | 73072980 |
| material group | EDELSTAHL pressfittings |
| code | NP447 |



| Art. No | label | d2 Inches | d1 mm | d3 mm | L1 mm | L2 mm | L3 mm | z1 mm | z2 mm | z3 mm | slw1 mm |
|---------|---------|---------------|-------|-------|-------|-------|-------|-------|-------|-------|---------|
| 53740D0 | 22x3/4" | 3/4 Zoll (20) | 22 | 22 | 39,5 | 39 | 39,5 | 18,5 | 21 | 18,5 | 30 |