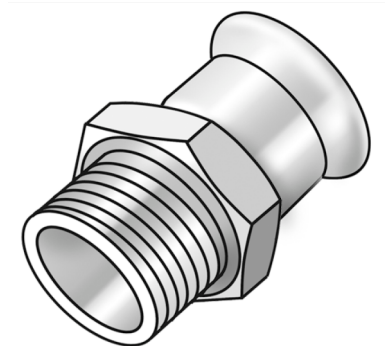


# STEEL FIX EDELSTAHL

NP450 STEELFIX stainless steel press-fit-adapter with male thread 28x1"

53702E05

## Areas of application



Press-adapter with male thread conforming to EN 10226-1 made of stainless steel 1.4404, incl. EPDM sealing elements, d15-54 "leak before pressed"

Press contour: M

## Approvals:



# Specifications

## Article information

<b>port 1</b>	Pressmuffe
<b>port 2</b>	Außengewinde konisch BSPT-R (ISO 7-1 / EN 10226-1)
<b>execution</b>	1-part
<b>design</b>	gerade
<b>press contour</b>	M

## Product information

<b>VPE1</b>	10,00 SA1
<b>VPE2</b>	60,00 KT1
<b>VPE3</b>	1500,00 DDP
<b>weight</b>	0,133 KGM
<b>text</b>	STEELFIX stainless steel press-fit-adapter with male thread
<b>INTRNR</b>	73072980
<b>material group</b>	EDELSTAHL pressfittings
<b>code</b>	NP450



Art. No	label	d2 Inches	d1 mm	L1 mm	L2 mm	z1 mm	slw2 mm
53702E05	28x1"	1"	28	27	21	4	38