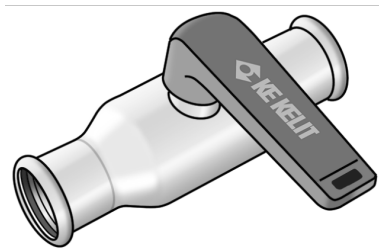


STEEL FIX EDELSTAHL

NP453 Stainless steel press-ball valve 18

53728CC0

Areas of application



Press-fit ball valve with full bore, ball and basic body with full flow, made of stainless steel 1.4404, incl. EPDM sealing components, "leak before pressed"

Press contour: M

Operating temperature: - 35°C - tmax 135°C

Approvals:



KE KELIT GmbH

A 4020 Linz, Ignaz-Mayer-Straße 17, Austria, Europe

PHONE +43 (0) 50 779 E-MAIL office@kekelit.com

www.kekelit.com

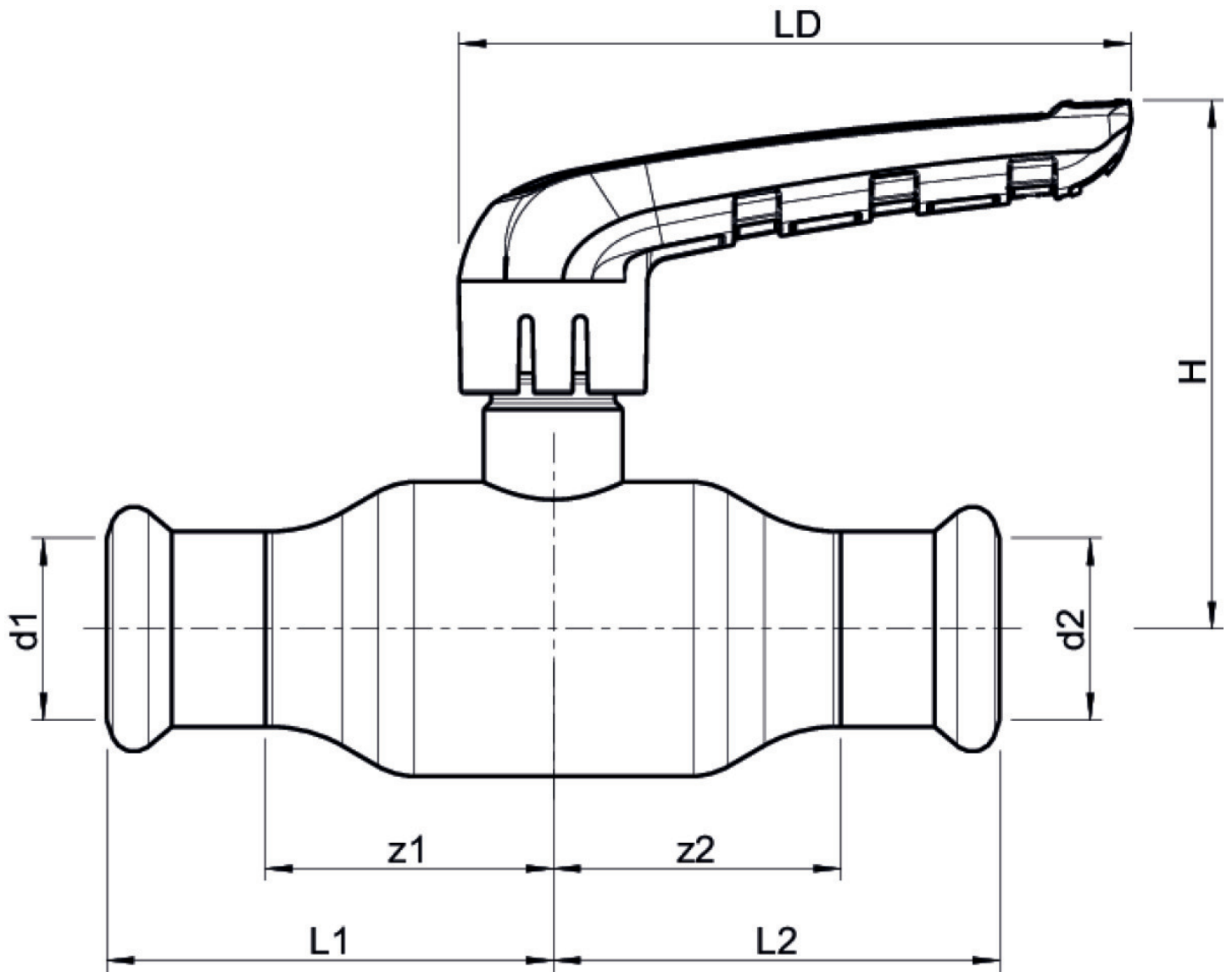
Specifications

Article information

port 1	Pressmuffe
port 2	Pressmuffe
execution	gerade

Product information

VPE1	1 SA1
VPE2	25 KT1
weight	0,22 KGM
text	Stainless steel press-ball valve
INTRNR	84818081
main material group	STEELFIX
material group	EDELSTAHL pressfittings
code	NP453



Art. No	label	d1 mm	d2 mm	L1 mm	L2 mm	z1 mm	z2 mm
53728CC0	18	18	18	51.5	51.5	32	32