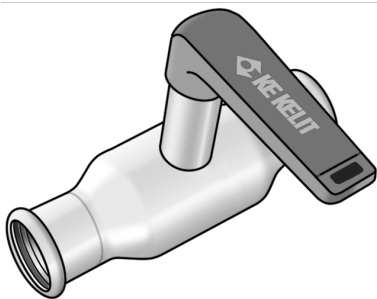


# STEEL FIX EDELSTAHL

NP453H Stainless steel press-ball valve with extended spindle 22

53729DD0

## Areas of application



Press-fit ball valve with full bore, ball and basic body with full flow, with extended spindle for thicker insulations made of stainless steel 1.4404, incl. EPDM sealing components, "leak before pressed"

Press contour: M

Operating temperature: - 35°C - tmax 135°C

## Approvals:



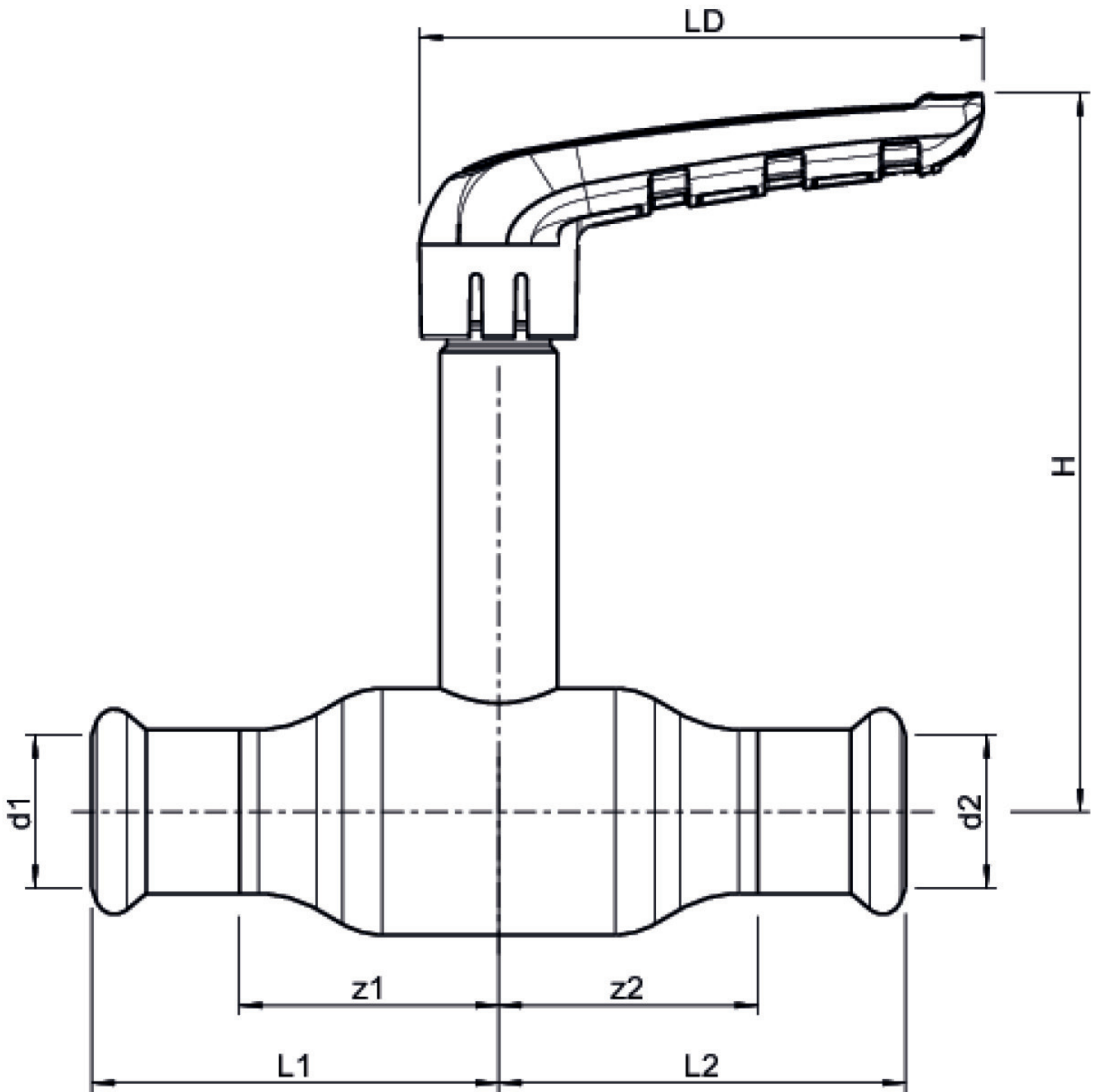
# Specifications

## Article information

port 1	Pressmuffe
port 2	Pressmuffe
execution	gerade

## Product information

VPE1	1 SA1
VPE2	10 KT1
weight	0,3 KGM
text	Stainless steel press-ball valve with extended spindle
INTRNR	84818081
main material group	STEELFIX
material group	EDELSTAHL pressfittings
code	NP453H



Art. No	label	d1 mm	d2 mm	L1 mm	L2 mm	z1 mm	z2 mm
53729DD0	22	22	22	60.5	60.5	40	40