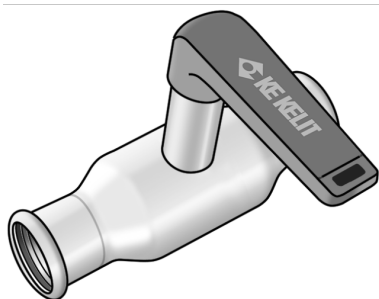


STEEL FIX EDELSTAHL

NP453H Stainless steel press-ball valve with extended spindle 54

53729HH0

Areas of application



Press-fit ball valve with full bore, ball and basic body with full flow, with extended spindle for thicker insulations made of stainless steel 1.4404, incl. EPDM sealing components, "leak before pressed"

Press contour: M

Operating temperature: - 35°C - tmax 135°C

Approvals:



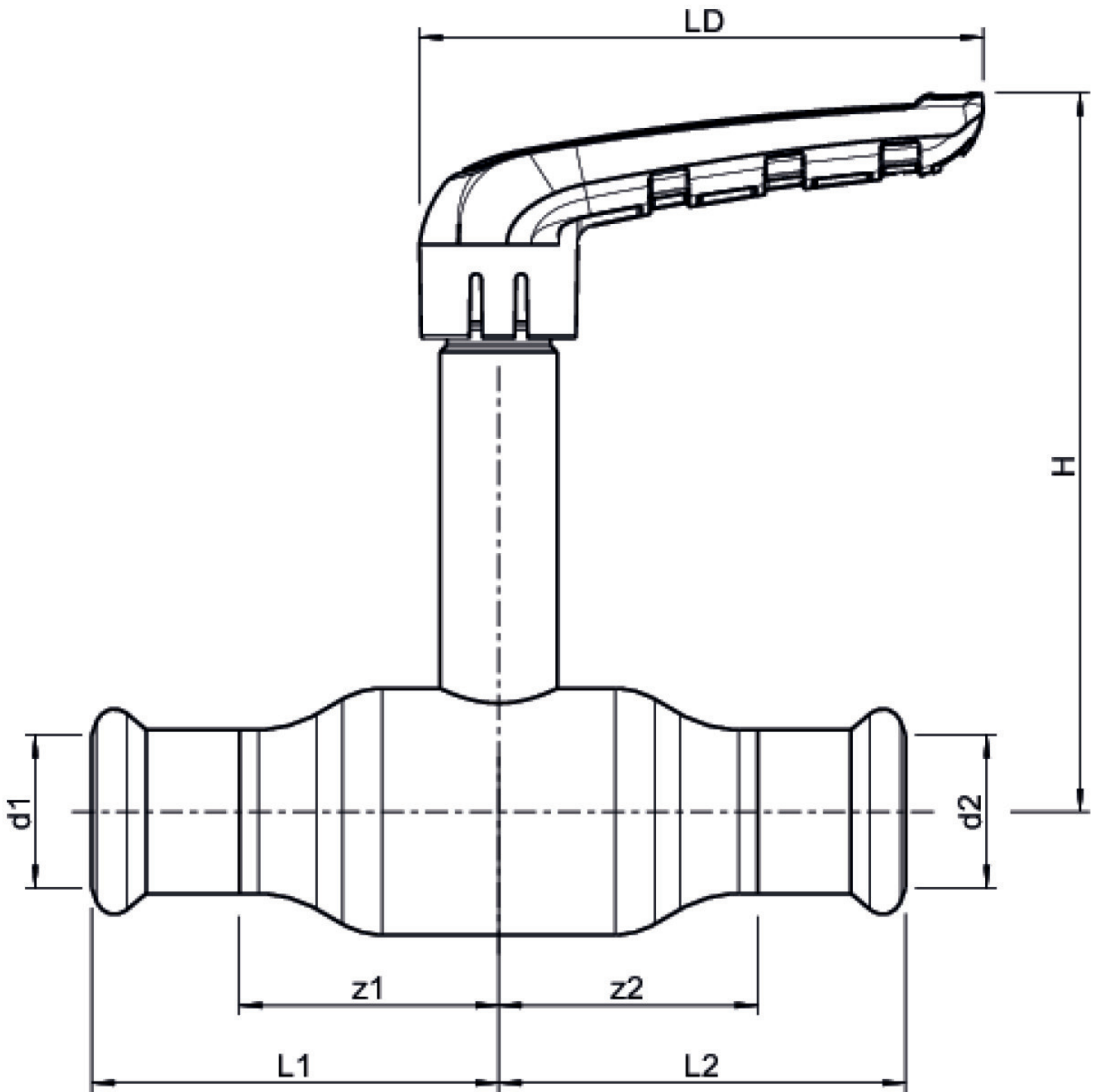
Specifications

Article information

port 1	Pressmuffe
port 2	Pressmuffe
execution	gerade

Product information

VPE1	1 SA1
VPE2	5 KT1
weight	2,55 KGM
text	Stainless steel press-ball valve with extended spindle
INTRNR	84818081
main material group	STEELFIX
material group	EDELSTAHL pressfittings
code	NP453H



Art. No	label	d1 mm	d2 mm	L1 mm	L2 mm	z1 mm	z2 mm
53729HH0	54	54	54	113	113	79	79