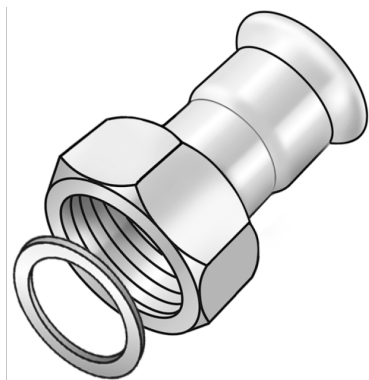


STEEL FIX EDELSTAHL

NP455 STEELFIX stainless steel press-fit-threaded union with female thread 18x3/4"

53703C04

Areas of application



Press-adapter female screw union to connect to fittings, made of stainless steel 1.4404, incl. EPDM sealing components, d15-54 "leak before pressed"

Press contour: M

Approvals:



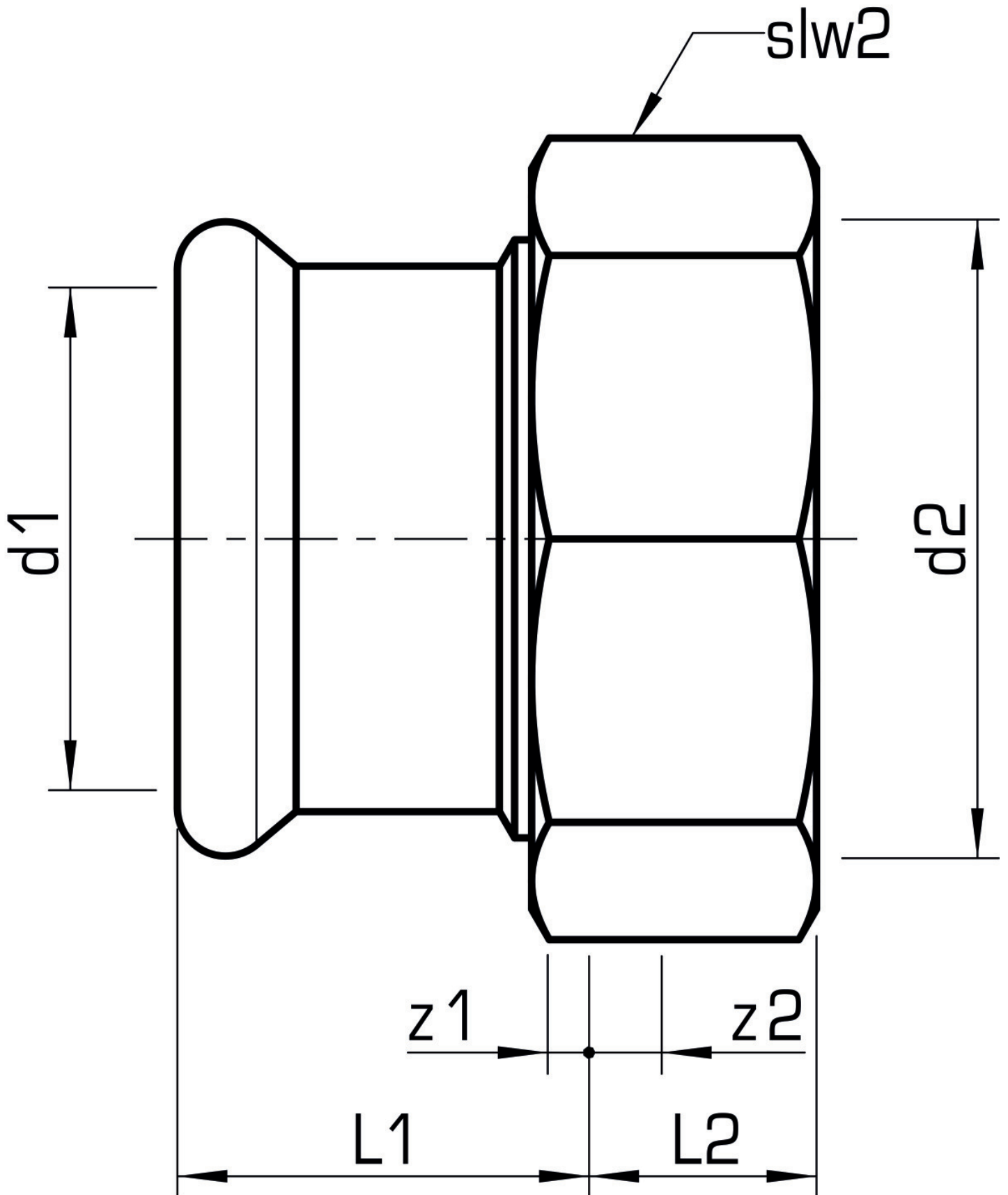
Specifications

Article information

port 1	Pressmuffe
port 2	Innengewinde zylindrisch BSPT-Rp (ISO 7-1 / EN 10226-1)
execution	1-part
design	gerade
press contour	M

Product information

VPE1	10,00 SA1
VPE2	100,00 KT1
VPE3	2500,00 DDP
weight	0,094 KGM
text	STEELFIX stainless steel press-fit-threaded union with female thread
INTRNR	73072980
material group	EDELSTAHL pressfittings
code	NP455



Art. No	label	d2 Inches	d1 mm	L1 mm	L2 mm	z1 mm	z2 mm	slw2 mm
53703C04	18x3/4"	3/4 Zoll (20)	18	24,5	12,5	4,5	4,5	30



KE KELIT GmbH

A 4020 Linz, Ignaz-Mayer-Straße 17, Austria, Europe

PHONE +43 (0) 50 779 **E-MAIL** office@kekelit.com

www.kekelit.com