

STEEL FIX EDELSTAHL

NP457 Stainless steel press-adaptor female
28x5/4"

53706E06

Areas of application



Press-fit adaptor with female thread made of stainless steel 1.4404, incl. EPDM sealing components, d15-54 "leak before pressed"

Press contour: M

Approvals:



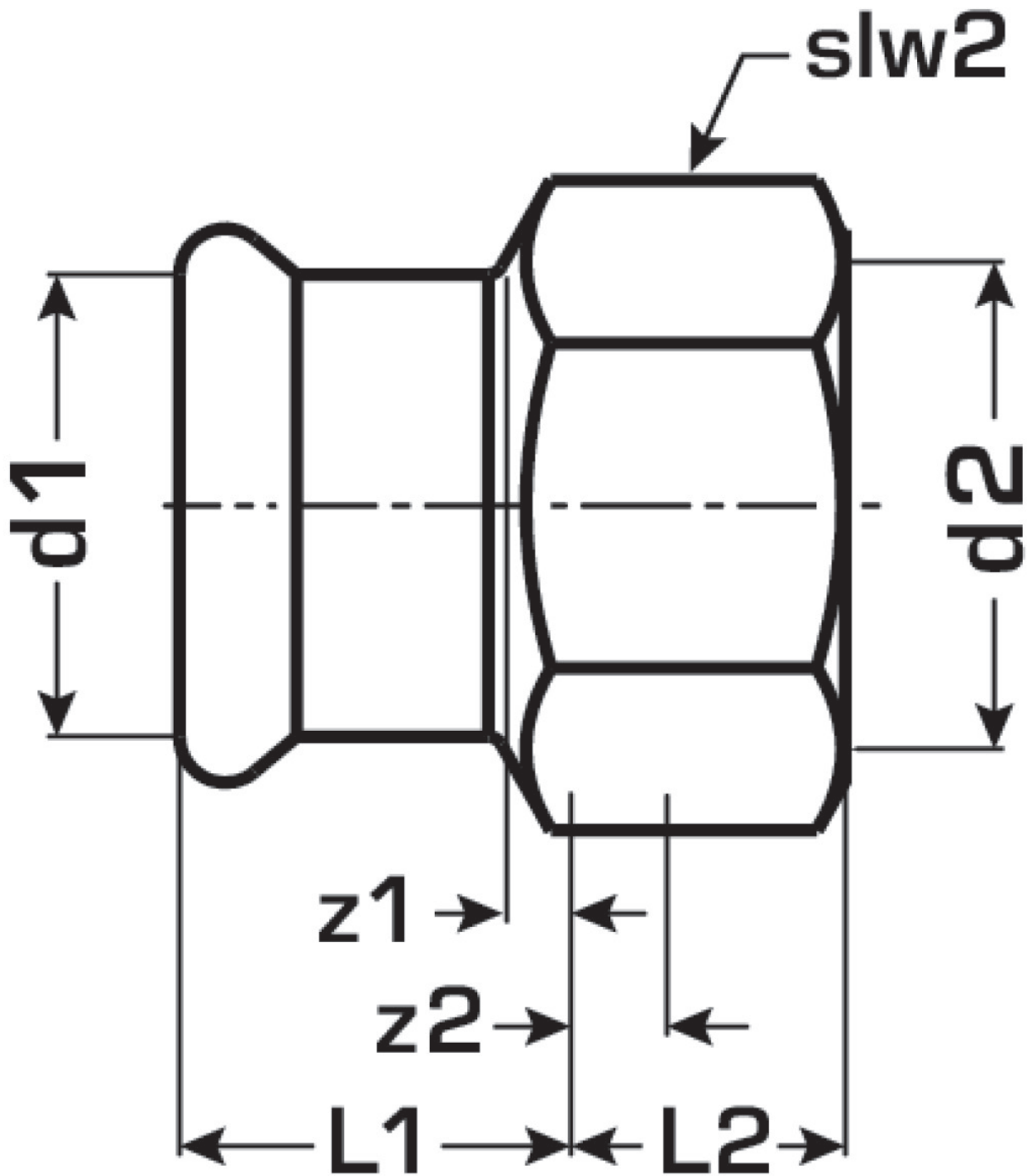
Specifications

Article information

port 1	Pressmuffe
port 2	Innengewinde zylindrisch BSPT-Rp (ISO 7-1 / EN 10226-1)
execution	1-teilig
design	gerade
press contour	M

Product information

VPE1	10 SA1
VPE2	30 KT1
VPE3	750 DDP
weight	0,17 KGM
text	Stainless steel press-adaptor female
INTRNR	73072980
main material group	STEELFIX
material group	EDELSTAHL pressfittings
code	NP457



Art. No	label	d2	d1 mm	L1 mm	L2 mm	z1 mm	z2 mm	slw2 mm
53706E06	28x5/4"	1 1/4 Zoll (32)	28	25	22	2	7	46