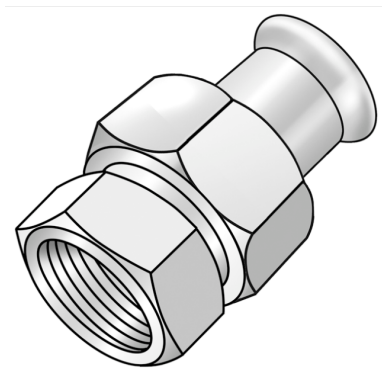


STEEL FIX EDELSTAHL

NP466 STEELFIX stainless steel press-fit union with female thread 22x1"

53742D05

Areas of application



Press-fit union with female thread conforming to EN 10226-1 made of stainless steel 1.4404, incl. EPDM sealing elements, d15-54 "leak before pressed"

Press contour: M

Approvals:



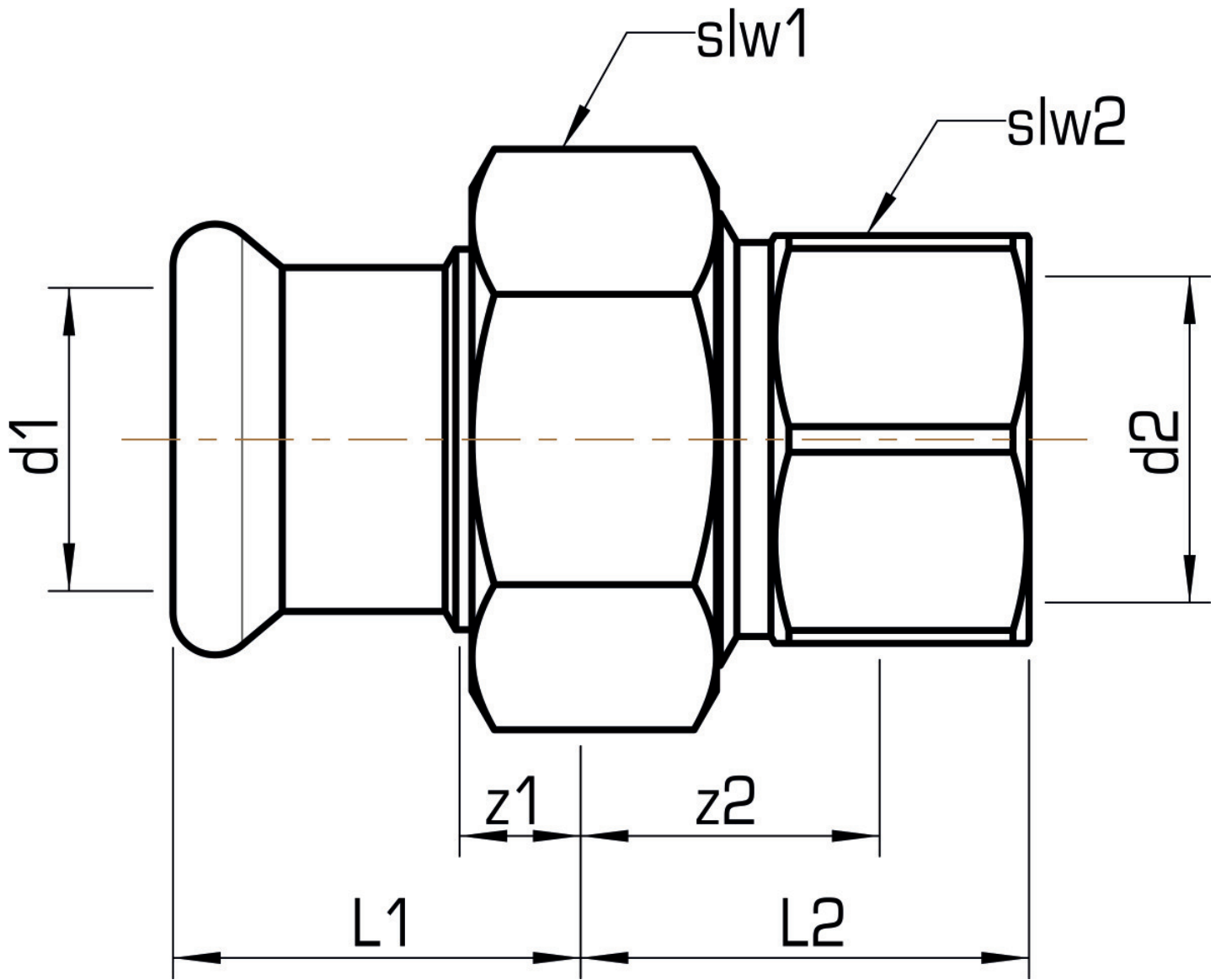
Specifications

Article information

port 1	Pressmuffe
port 2	Innengewinde zylindrisch BSPT-Rp (ISO 7-1 / EN 10226-1)
execution	1-part
design	gerade
press contour	M

Product information

VPE1	2,00 SA1
VPE2	30,00 KT1
weight	0,339 KGM
text	STEELFIX stainless steel press-fit union with female thread
INTRNR	73072980
material group	EDELSTAHL pressfittings
code	NP466



Art. No	label	d2 Inches	d1 mm	L1 mm	L2 mm	z1 mm	z2 mm	slw1 mm	slw2 mm
53742D05	22x1"	1"	22	30	36	9	23	37	38