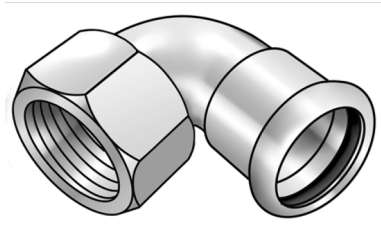


STEEL FIX EDELSTAHL

NP467 Stainless steel press-elbow adaptor 90° female 35x3/4"

53716F04

Areas of application



Press-fit elbow adaptor 90° with female thread made of stainless steel 1.4404, incl. EPDM sealing components, d15-54 "leak before pressed"

Press contour: M

Approvals:



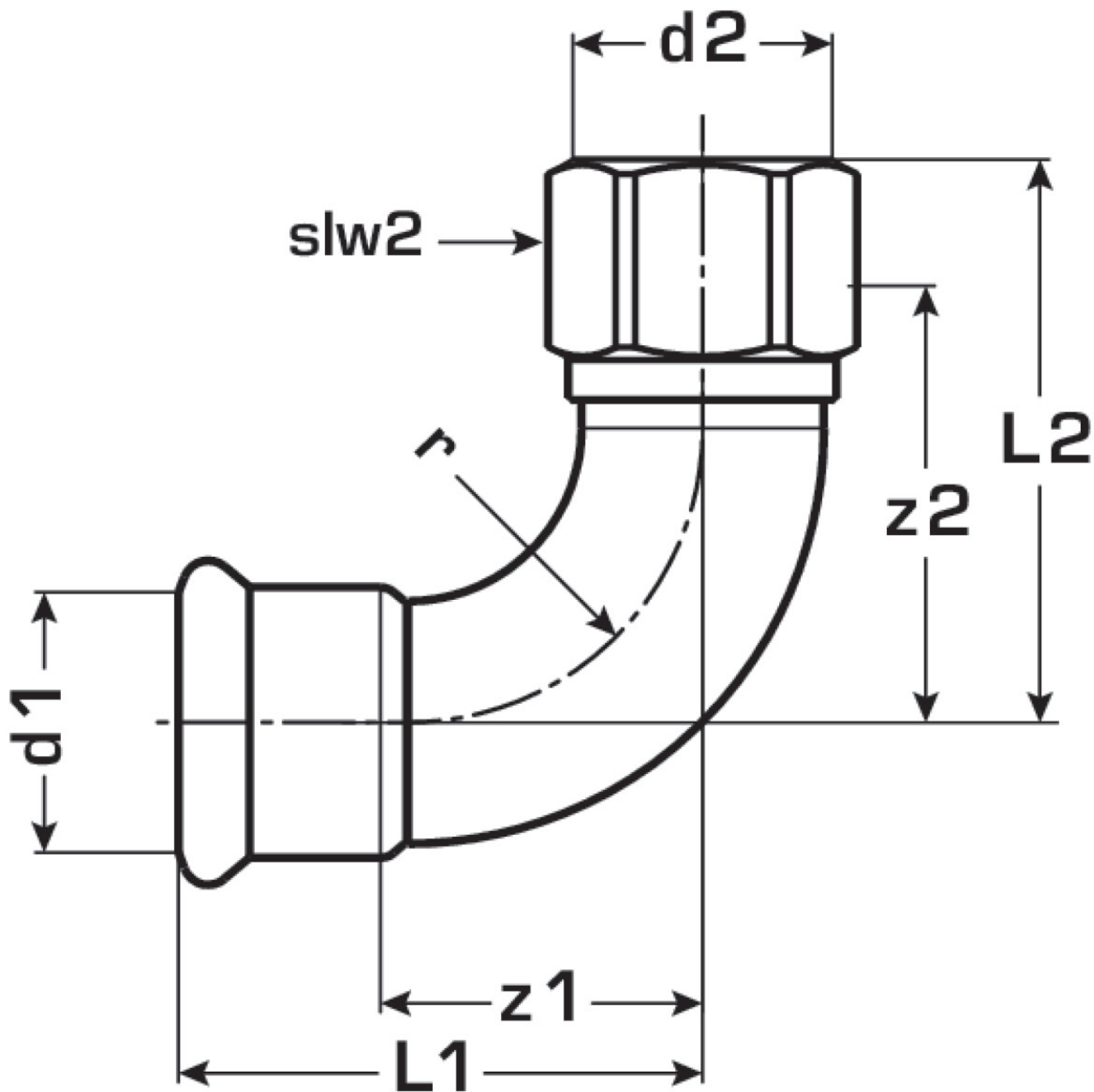
Specifications

Article information

port 1	Pressmuffe
port 2	Innengewinde zylindrisch BSPT-Rp (ISO 7-1 / EN 10226-1)
execution	1-teilig
design	Bogen
angle	90 °
press contour	M

Product information

VPE1	5 SA1
VPE2	10 KT1
VPE3	250 DDP
weight	0,452 KGM
text	Stainless steel press-elbow adaptor 90° female
INTRNR	73072980
main material group	STEELFIX
material group	EDELSTAHL pressfittings
code	NP467



Art. No	label	d2	d1 mm	L1 mm	L2 mm	z1 mm	z2 mm	slw2 mm
53716F04	35x3/4"	3/4 Zoll (20)	35	56	35	30	20	24