

# STEEL FIX EDELSTAHL

NP471 STEELFIX stainless steel press-fit cap 22

53735D00

## Areas of application



Press-fit cap made of stainless steel 1.4404, incl. EPDM sealing elements, d15-54 "leak before pressed"

Press contour: M

## Approvals:



# Specifications

## Article information

**port 1** Pressmuffe

**press contour** M

## Product information

**VPE1** 10,00 SA1

**VPE2** 150,00 KT1

**VPE3** 3750,00 DDP

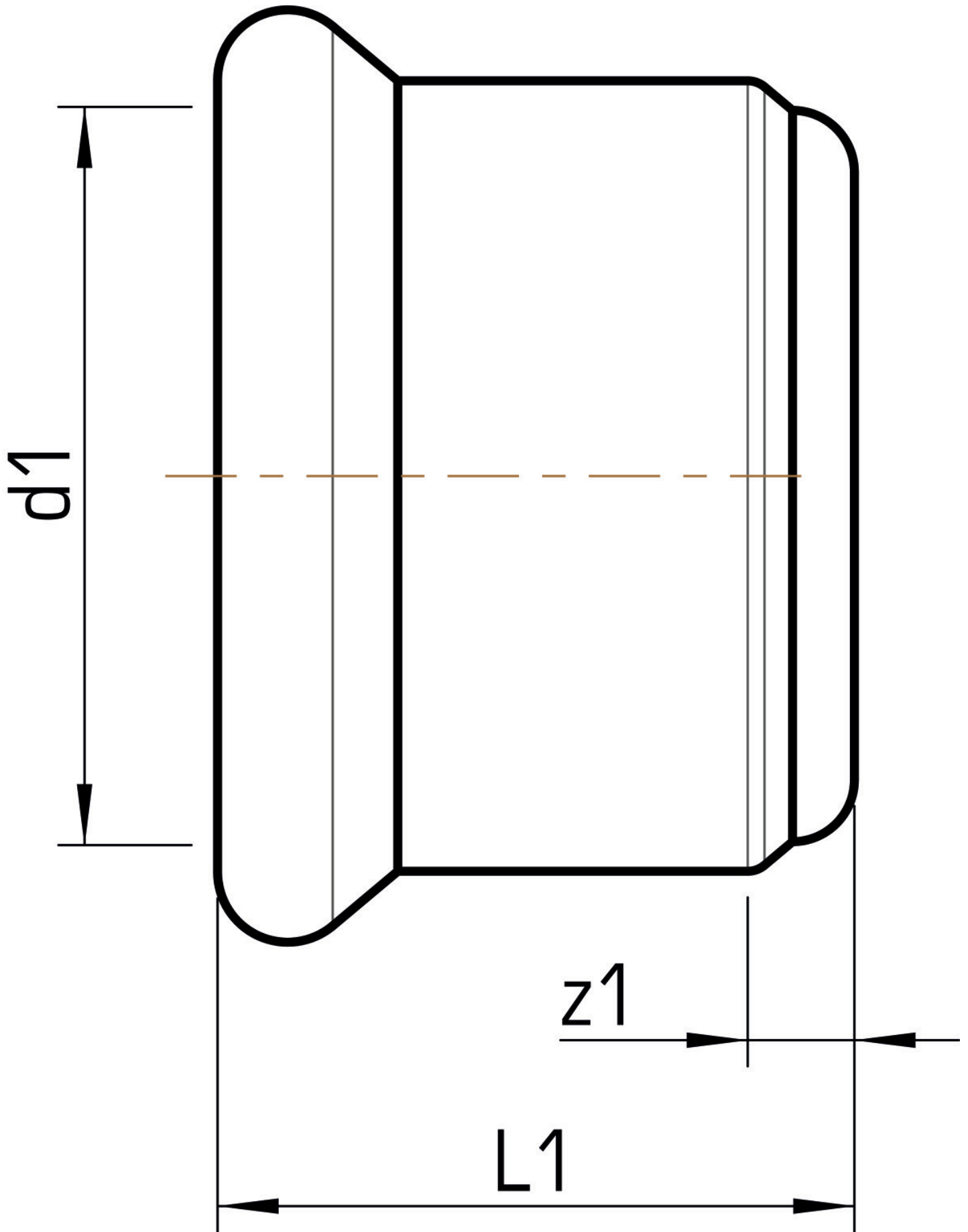
**weight** 0,032 KGM

**text** STEELFIX stainless steel press-fit cap

**INTRNR** 73072980

**material group** EDELSTAHL pressfittings

**code** NP471



Art. No	label	d1 mm	L1 mm	z1 mm
53735D00	22	22	24	3



**KE KELIT GmbH**

A 4020 Linz, Ignaz-Mayer-Straße 17, Austria, Europe

**PHONE** +43 (0) 50 779 **E-MAIL** [office@kekelit.com](mailto:office@kekelit.com)

[www.kekelit.com](http://www.kekelit.com)