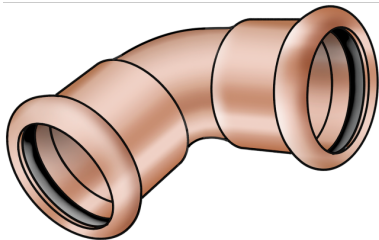


# COPPER FIX

COF425 COPPERFIX copper press-elbow 45°  
66,7

52620110

## Areas of application



Press-elbow 45° made of copper, incl. EPDM sealing components, "leak before pressed"

Press contour: M

## Approvals:



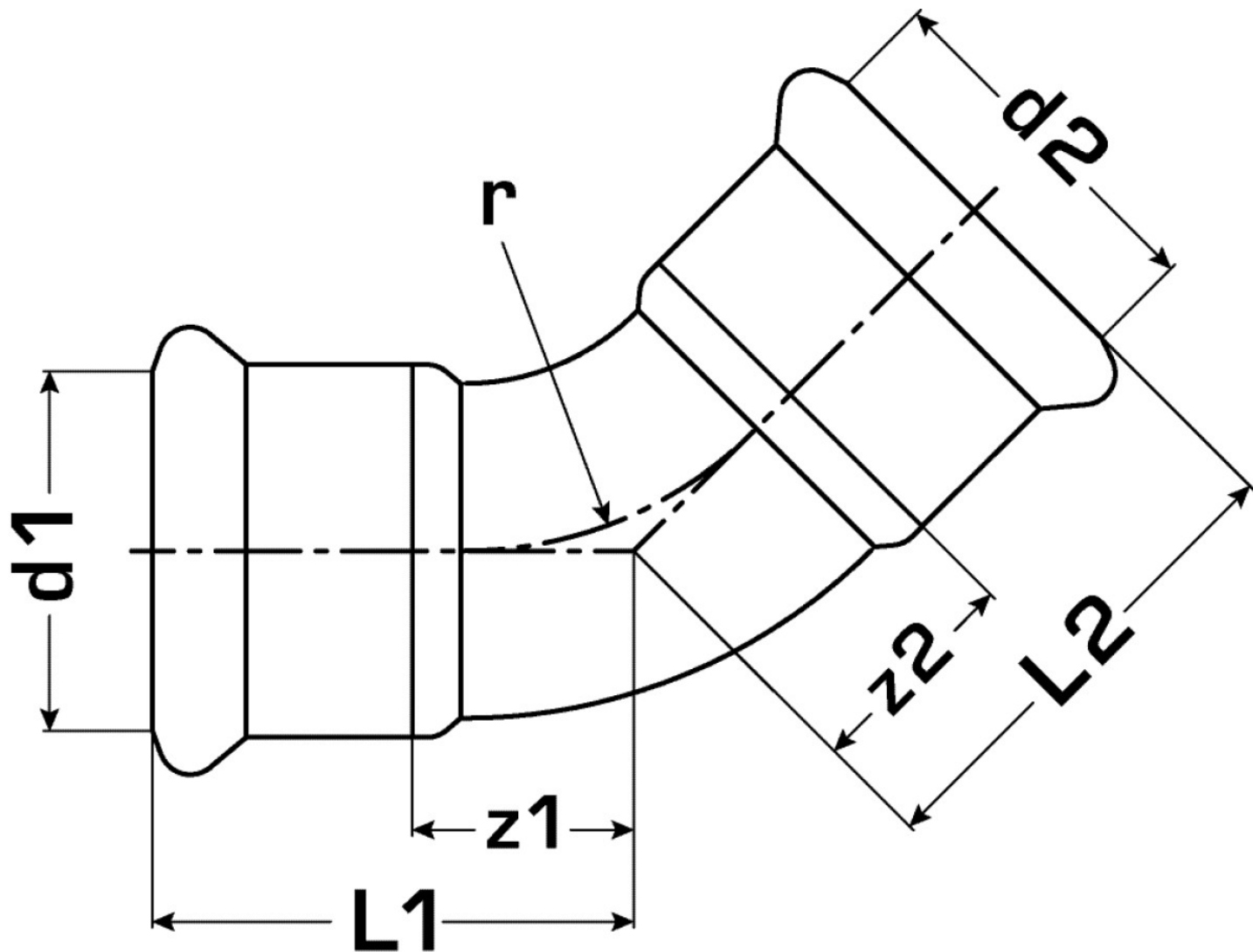
# Specifications

## Article information

port 1	Pressmuffe
port 2	Pressmuffe
execution	1-part
design	Bogen
angle	45 °
press contour	M

## Product information

VPE1	1,00 SA1
VPE2	4,00 KT1
weight	0,810 KGM
text	COPPERFIX copper press-elbow 45°
INTRNR	74122000
main material group	COPPERFIX
material group	KUPFER pressfittings
code	COF425



Art. No	label	d1 mm	d2 mm	L1 mm	L2 mm	z1 mm	z2 mm
52620110	66,7	66,7	66,7	85	85	35	35