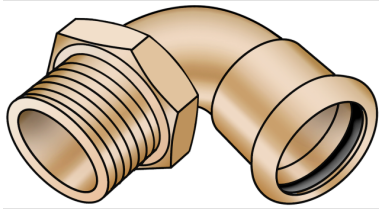


COPPER FIX

COF460 COPPERFIX copper press-elbow adapter 90° male 35x5/4"

52712F06

Areas of application



Press-elbow adapter 90° with male thread conforming to EN 10226-1 made of red brass, incl. EPDM sealing components, "leak before pressed"

Press contour: M

Approvals:



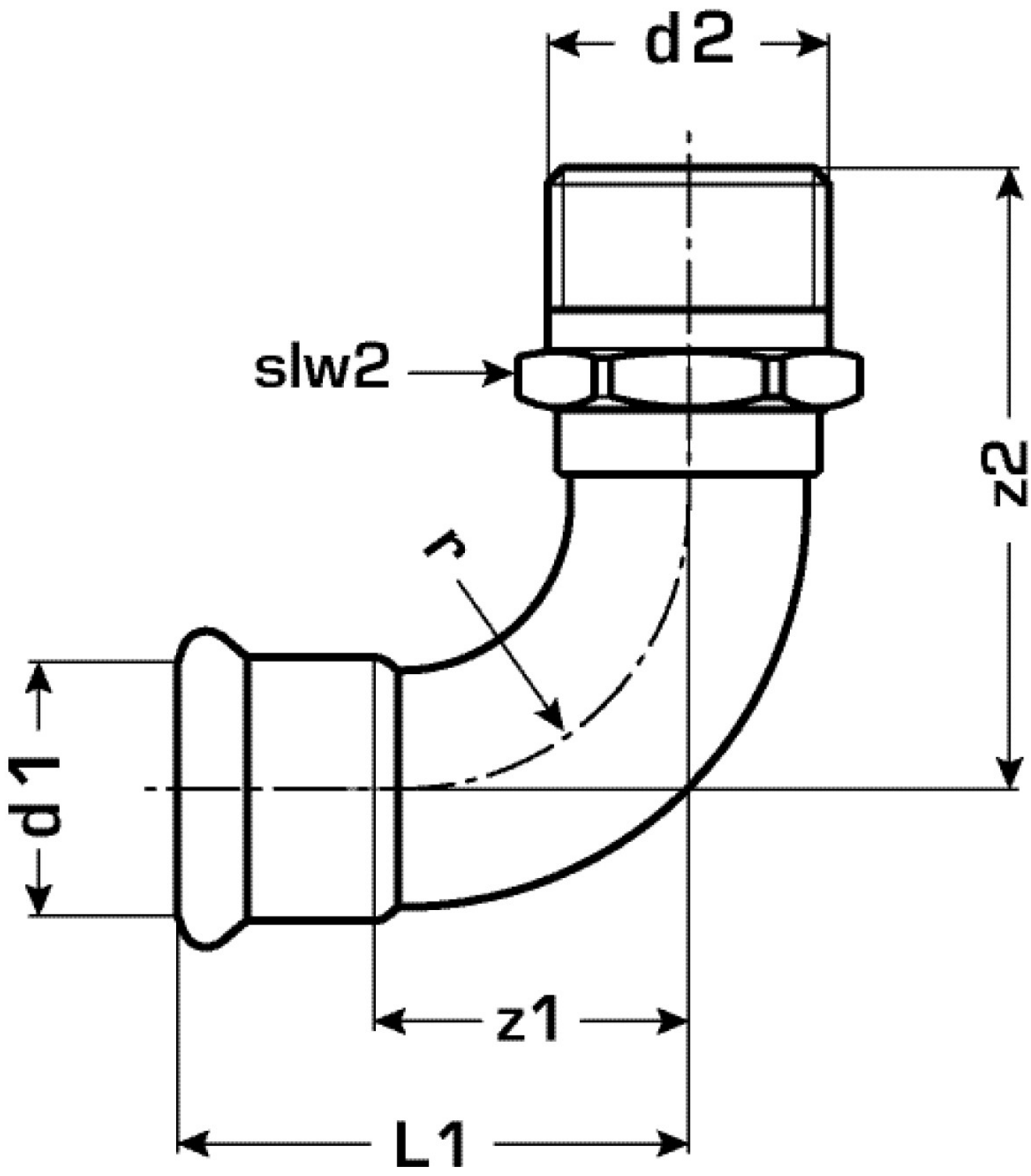
Specifications

Article information

port 1	Pressmuffe
port 2	Außengewinde konisch BSPT-R (ISO 7-1 / EN 10226-1)
design	Bogen
angle	90 °
press contour	M

Product information

VPE1	5,00 SA1
VPE2	20,00 KT1
weight	0,217 KGM
text	COPPERFIX copper press-elbow adapter 90° male
INTRNR	74122000
main material group	COPPERFIX
material group	KUPFER pressfittings
code	COF460



Art. No	label	d2	d1 mm	L1 mm	z1 mm	z2 mm	slw2 mm
52712F06	35x5/4"	1 1/4"	35	55	30	47	46



KE KELIT GmbH

A 4020 Linz, Ignaz-Mayer-Straße 17, Austria, Europe

PHONE +43 (0) 50 779 **E-MAIL** office@kekelit.com

www.kekelit.com