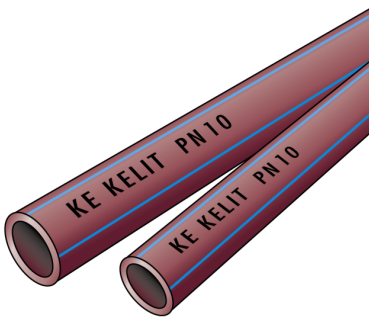


# KETRIX

## TRI02 KETRIX industrial pipe - PN10 75x6.8

55002J00

### Areas of application



KETRIX industrial piping system based on ÖNORM EN ISO 15874 made of polyolefin blend (POB) for COOLING WATER and COLD

Application area: 20°C/10 bar, from -30°C to +30°C/8 bar

Colour: burgundy with 3 co-extruded blue longitudinal lines

Length: 4m

# Specifications

## Article information

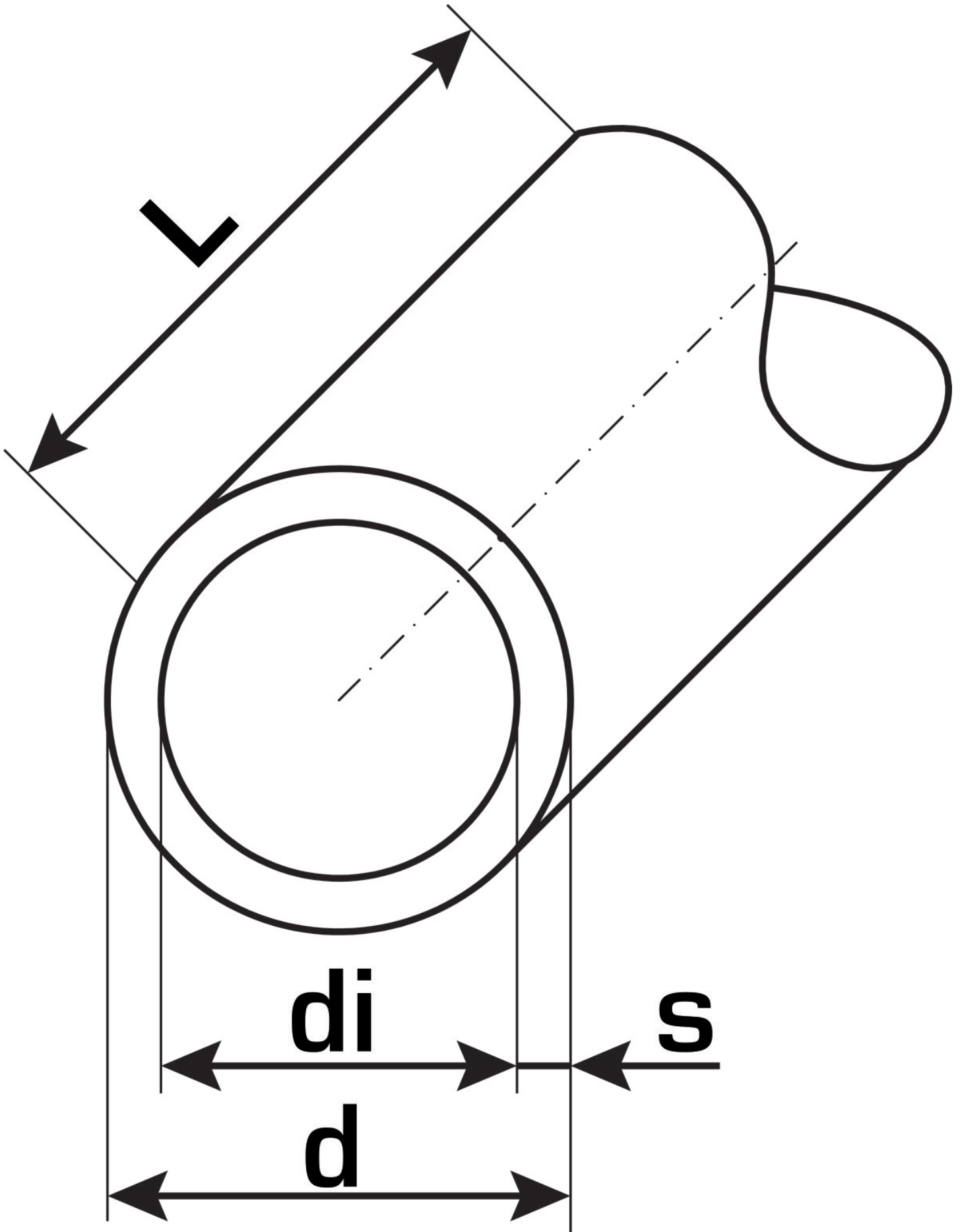
port 1	Pipe end
port 2	Pipe end
color	Burgundy

## Technical properties

pipe weight	1,41 kg/m
pipe contents	2,96 l/m
PN	PN 10
lambda pipe	0,24 W/(m.K)
wall rawness	0,007 mm
expansion coefficient	0,14 mm/(m.K)

## Product information

DIM2	61,4
VPE1	8,00 BND
L	4 m
weight	1,383 KGM
text	KETRIX industrial pipe - PN10
INTRNR	39172290
main material group	KETRIX
material group	KETRIX pipes
code	TRI02



Art. No	label	d1 mm	pipe contents l/m	s mm
55002J00	75x6.8	75	2,96	6,8



**KE KELIT GmbH**

A 4020 Linz, Ignaz-Mayer-Straße 17, Austria, Europe

**PHONE** +43 (0) 50 779 **E-MAIL** [office@kekelit.com](mailto:office@kekelit.com)

[www.kekelit.com](http://www.kekelit.com)